

LIQUID SMART® PUMP SYSTEMS

Overview:

Liquid Smart® Pump Panels are designed to meet industrial and elevator code special applications that require the responsible removal of oil and water. The systems are setup to automatically pump water to the normal discharge area and pump oil to a secondary containment area.

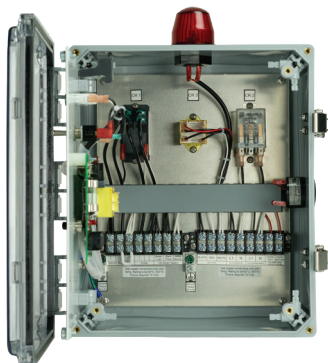
Features:

- UL Listed for the United States and Canada
- NEMA 4X polycarbonate enclosure with lockable latches
- Pump control visible indicators: pump #1 hand-off-auto (H.O.A.) switch, green pump run light and green power on light
- Alarm visible indicators: red beacon alarm light, yellow light for oil, white light for water, alarm test and silence buttons
- Alarm horn sounds at 85 decibels at 10'
- Complete panel remote monitoring dry contacts: oil, water, high liquid



Applications:

- Elevator sumps
- Electric utilities (substations, power plants, underground vaults, and transformer barriers)
- Manufacturing facilities
- Any application where there is a need to remove



Your Trusted Source for Quality Control Panels.®

LIQUID SMART® PUMP SYSTEMS

Simplex Single Phase: 120/208/240VAC

Models Pump Full Load Amp Rating

OSSIM-30-OR	0-16.0 FLA
OSSIM-30-OR-2	0-16.0 FLA

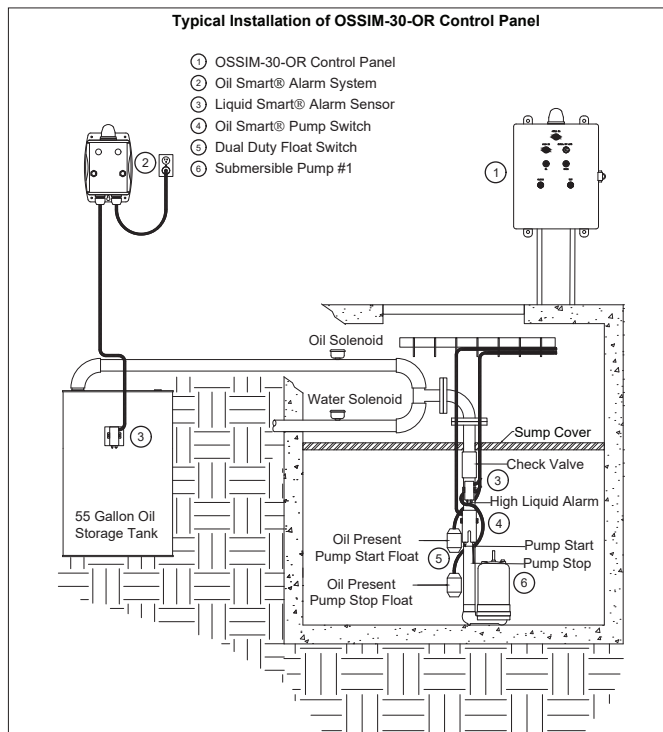
Custom Options:

- AF = Alarm Flasher
- ET = Elapsed Time Meter w/ LCD display & reset
- CC = Cycle Counter w/ LCD display & rest
- MD = Main Disconnect
- CB = Circuit Breaker
- S3 = No sensors included
- 24 = Pump Exerciser - auto cycles pump(s) daily, weekly, or monthly
- E = 50Hz configuration
- DPR = Dry Contact for Pump Run
- 83 = Alarm tank interlock circuit to prevent oil containment tank overflow
- C = Additional cord length greater than 20' specify after C. example: (OSSIM-30-OR-C50) indicates 50' cord lengths for all components

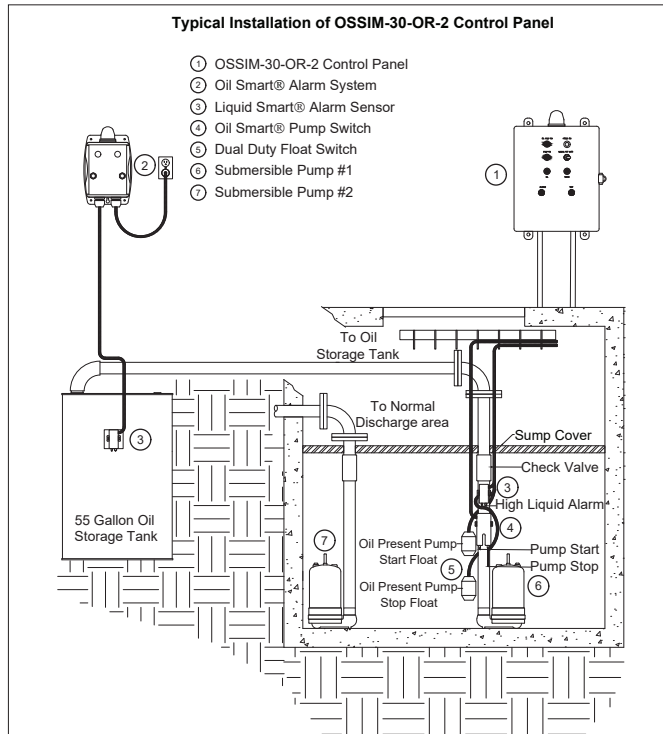
Custom Options:

- OSA-05 = Oil containment tank alarm. Works in conjunction with alarm interlock pump shut down feature
- 95-16 = 1.5" NC solenoid
- 95-17 = 1.5" NO solenoid
- 95-18 = 2.0" NC solenoid
- 95-19 = 2.0" NO solenoid

Typical Installation of OSSIM-30-OR Control Panel



Typical Installation of OSSIM-30-OR-2 Control Panel



www.seewaterinc.com
 951.487.8073 • 888.733.9283 • info@seewaterinc.com
 22220 Opportunity Way, Suite 101 • Riverside, CA 92518

