

# FLOAT PRO™ CONTROL SWITCH

## Float Pro™ Control Switch

The Float Pro™ control switch is a narrow angle or wide angle control switch that is used to monitor liquid levels in wastewater and sewage applications. The Float Pro™ series allows for a multitude of different float styles and functions.

Model	Type	Cord Length	Angle
95-43	Normally Open	20'	Narrow
95-44	Normally Open	30'	Narrow
95-45	Normally Open	50'	Narrow
95-46	Normally Open	100'	Narrow

Model	Type	Cord Length	Angle
95-71	Normally Open	20'	Wide
95-72	Normally Open	30'	Wide
95-73	Normally Open	50'	Wide
95-74	Normally Open	100'	Wide

Model	Type	Cord Length	Angle
95-80	Normally Closed	20'	Narrow
95-81	Normally Closed	30'	Narrow
95-82	Normally Closed	50'	Narrow
95-83	Normally Closed	100'	Narrow

Model	Type	Cord Length	Angle
95-86	Normally Closed	20'	Wide
95-87	Normally Closed	30'	Wide
95-88	Normally Closed	50'	Wide
95-89	Normally Closed	100'	Wide



www.seewaterinc.com  
 951.487.8073 • 888.733.9283 • info@seewaterinc.com  
 22220 Opportunity Way, Suite 101 • Riverside, CA 92518



# FLOAT PRO™ CONTROL SWITCH

## Specifications

### Electrical Requirements

- 5 amps; 125VAC/250VAC, 50/60 Hz

### Cable Type

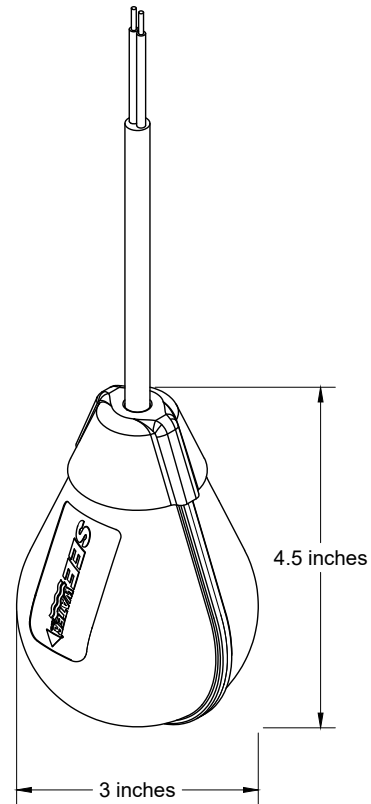
- Flexible 18 gauge, 2 conductor (UL, CSA) SJOW

### Float Description

- 2 7/8" diameter, 4 1/2" long, high impact, corrosion resistant, polypropylene housing for use in sewage and water up to 140°F (60°C)

### Maximum Water Depth

- 30' (9 meters), 13 PSI (90 kPa)



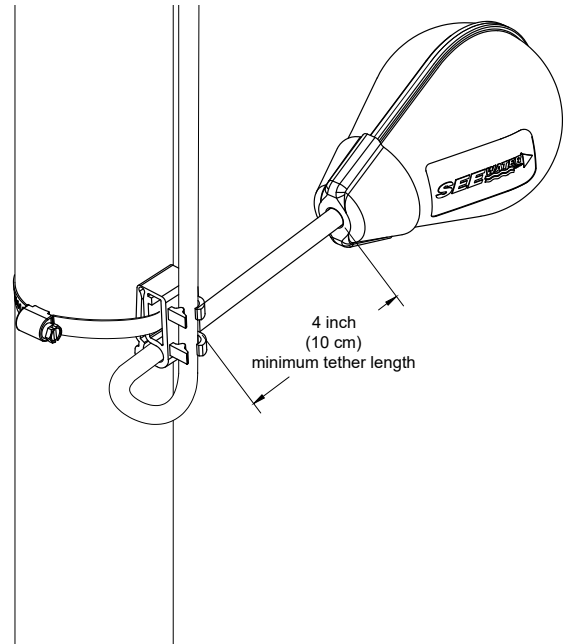
## Warranty

See Water, Inc. warrants that products of its manufacture are free from defects in material and workmanship for a period of 5 years from the date of purchase. This date shall be determined by the date on the invoice and the serial number on the product.

Replacement of the product is at the discretion of See Water, Inc. This warranty is valid when the product is installed in compliance with the manufacturer's installation instructions. The manufacturer's obligation under this warranty shall be limited to the repair or replacement of any parts found by the manufacturer to be defective, provided that the product is returned to See Water's factory, postage prepaid with proof of original purchase included.

The manufacturer of this warranty shall not be liable under this warranty if the product has not been properly installed; any alterations/additions/changes to the product will result in a void warranty. Failure to properly install and test this product can result in personal injury or equipment malfunction.

See Water, Inc. shall not be liable for any loss, damage, or expenses from installation or use of its products.



www.seewaterinc.com

951.487.8073 • 888.733.9283 • info@seewaterinc.com  
22220 Opportunity Way, Suite 101 • Riverside, CA 92518

