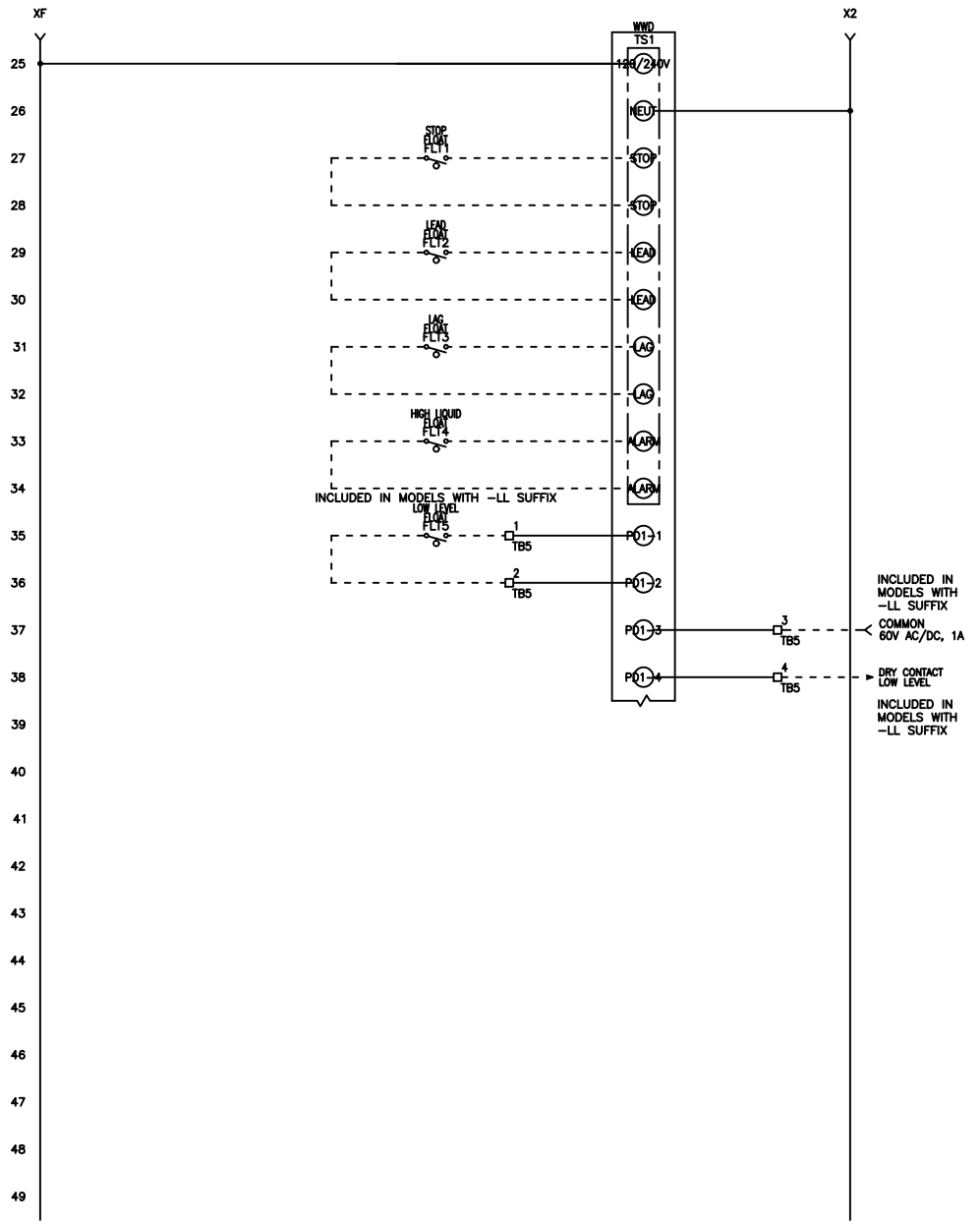
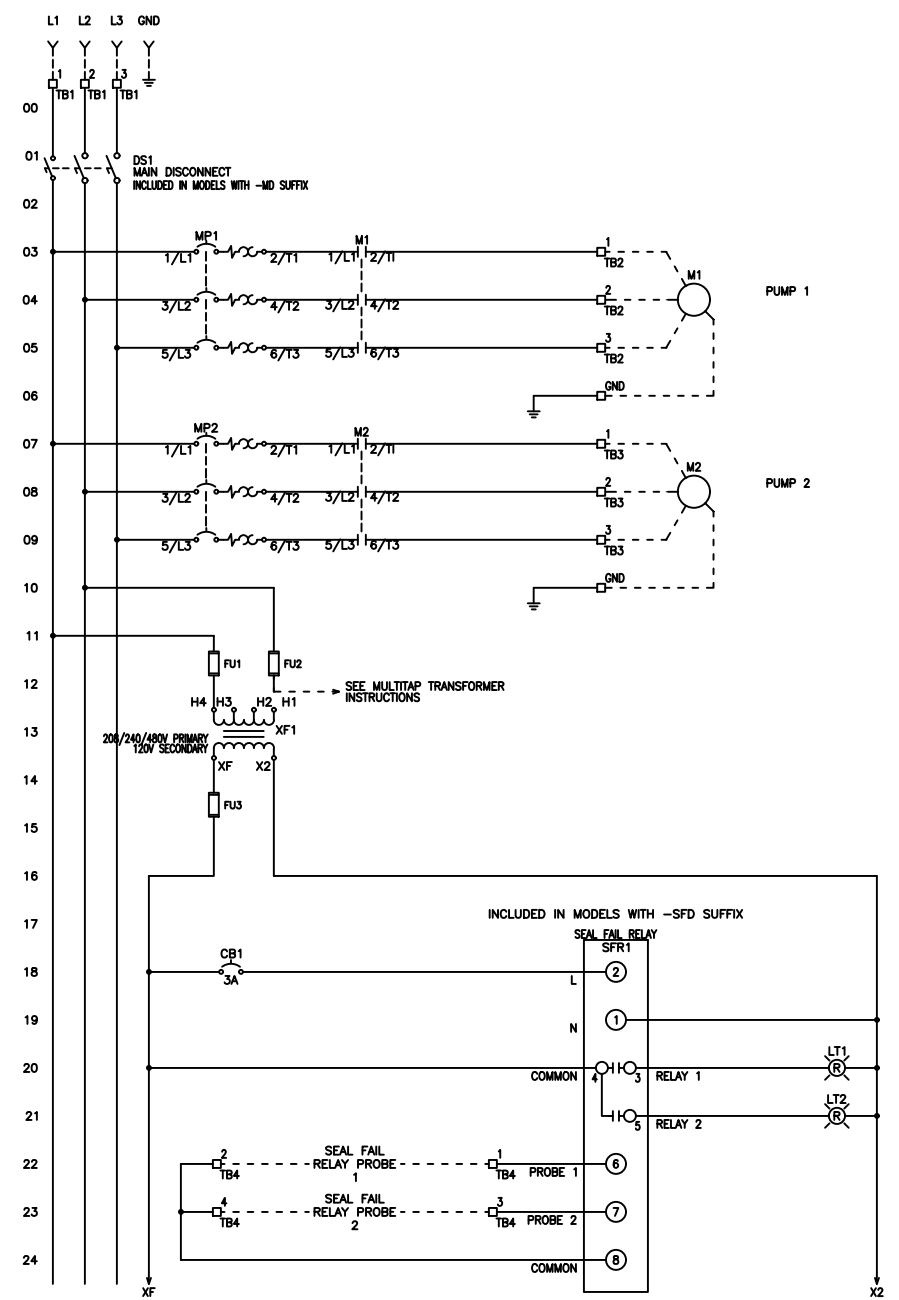


FNAME: WD3P-4-302X

REVDATE: 1019

REVISIONS				
ZONE	REV	DESCRIPTION	DATE	APPROVED
	A	ADDITION OF OPTIONAL SEAL FAIL RELAY	1/11/15	
	B	ADDITION OF OPTIONAL LOW LEVEL ALARM	5/2/16	
	C	UPDATED INSTRUCTIONS	5/24/17	
	D	UPDATED TERMINAL BLOCKS AND CIRCUIT BREAKER	8/25/17	
	E	REVISED CBS AND UPDATED POWER ON LIGHT	9/21/17	
	F	REVISED SEAL FAIL RELAY	1/9/18	
	G	TRANSFORMER LABEL X1 TO XF	4/29/19	
	H	TRANSFORMER INSTRUCTIONS	5/15/19	
	I	UPDATED LABELS AND FIELD WIRING	6/28/19	IF
	J	UPDATED MOTOR FIELD WIRING	10/30/19	AO



MULTITAP TRANSFORMER INSTRUCTIONS:

CONNECT FACTORY TAGGED WIRES TO APPROPRIATE TRANSFORMER VOLTAGE TAP. SEE BELOW FOR CONNECTIONS:

FOR 208V OPERATION, CONNECT TO FUSE INPUT H3F & TO TRANSFORMER TAP H3

FOR 240V OPERATION, CONNECT TO FUSE INPUT H2F & TO TRANSFORMER TAP H2

FOR 480V OPERATION, CONNECT TO FUSE INPUT H1F & TO TRANSFORMER TAP H1

NOTE: H1F, H2F & H3F ARE THE SAME TERMINAL

----- DASHED LINE INDICATES FIELD WIRING.

USE COPPER CONDUCTORS ONLY.

TEMPERATURE RATING OF CONDUCTORS IS TO BE 60°C (167°F).

BRANCH CIRCUIT PROTECTION SHALL BE PROVIDED BY THE INSTALLER: MUST BE SIZED ACCORDING TO PUMP/MOTOR MANUFACTURING SPECIFICATIONS.

VERIFY CORRECT OPERATION OF CONTROL PANEL AFTER INSTALLATION IS COMPLETE.

DRAWN BY: KJ
DATE: 11/6/14

APPROVED BY: _____
DATE: _____



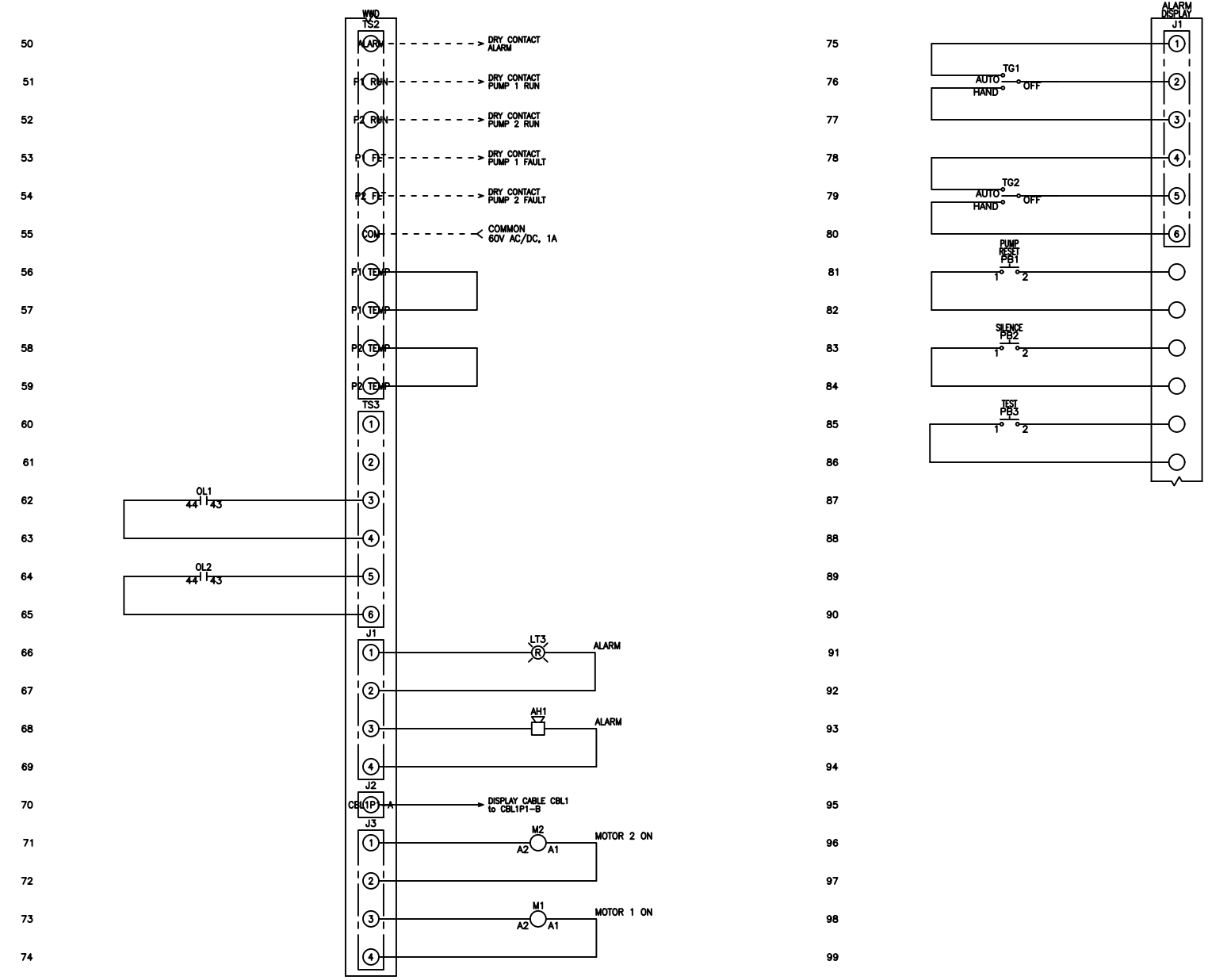
THIS DRAWING CONTAINS PROPRIETARY INFORMATION AND SHALL NOT BE USED OR DISCLOSED WITHOUT PRIOR WRITTEN AUTHORIZATION.

TITLE: WD3P-4-302X CONTROL SCHEMATIC				
SIZE: B	DWG NO.: 1526	PART NO.: WD3P-4-302X	REV: J	
SCALE: NONE		SHEET: 1 OF 3		

FNAME: WD3P-4-302X

REVDATE: 1019

REVISIONS				
ZONE	REV	DESCRIPTION	DATE	APPROVED
	A	ADDITION OF OPTIONAL SEAL FAIL RELAY	1/11/15	
	B	ADDITION OF OPTIONAL LOW LEVEL ALARM	5/2/16	
	C	UPDATED INSTRUCTIONS	5/24/17	
	D	UPDATED TERMINAL BLOCKS AND CIRCUIT BREAKER	8/25/17	
	E	REVISED CBS AND UPDATED POWER ON LIGHT	9/21/17	
	F	REVISED SEAL FAIL RELAY	1/9/18	
	G	TRANSFORMER LABEL X1 TO XF	4/29/19	
	H	TRANSFORMER INSTRUCTIONS	5/15/19	
	I	UPDATED LABELS AND FIELD WIRING	6/28/19	IF
	J	UPDATED MOTOR FIELD WIRING	10/30/19	AO



MULTITAP TRANSFORMER INSTRUCTIONS:

CONNECT FACTORY TAGGED WIRES TO APPROPRIATE TRANSFORMER VOLTAGE TAP. SEE BELOW FOR CONNECTIONS:

FOR 208V OPERATION, CONNECT TO FUSE INPUT H3F & TO TRANSFORMER TAP H3

FOR 240V OPERATION, CONNECT TO FUSE INPUT H2F & TO TRANSFORMER TAP H2

FOR 480V OPERATION, CONNECT TO FUSE INPUT H1F & TO TRANSFORMER TAP H1

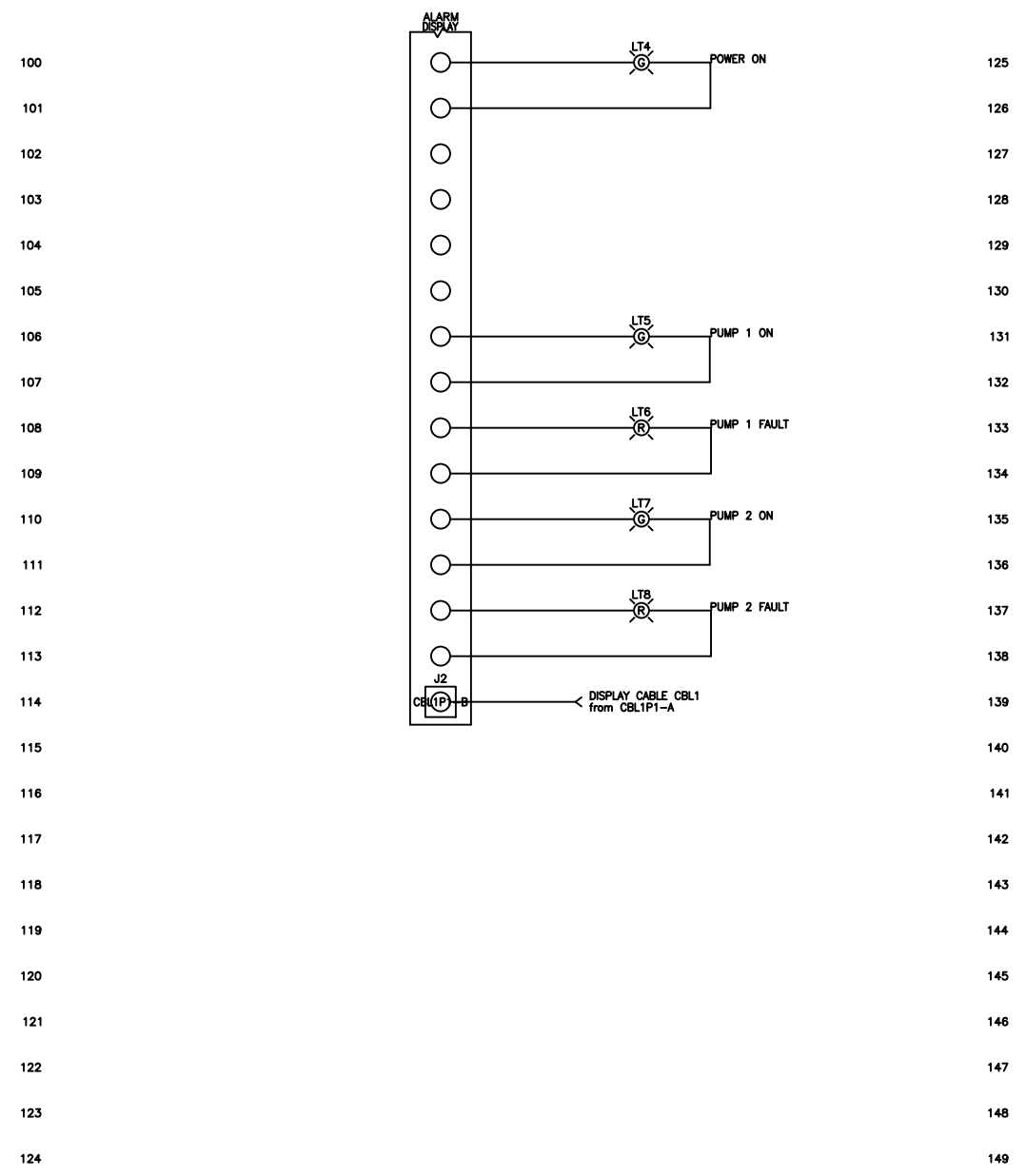
NOTE: H1F, H2F & H3F ARE THE SAME TERMINAL

----- DASHED LINE INDICATES FIELD WIRING.

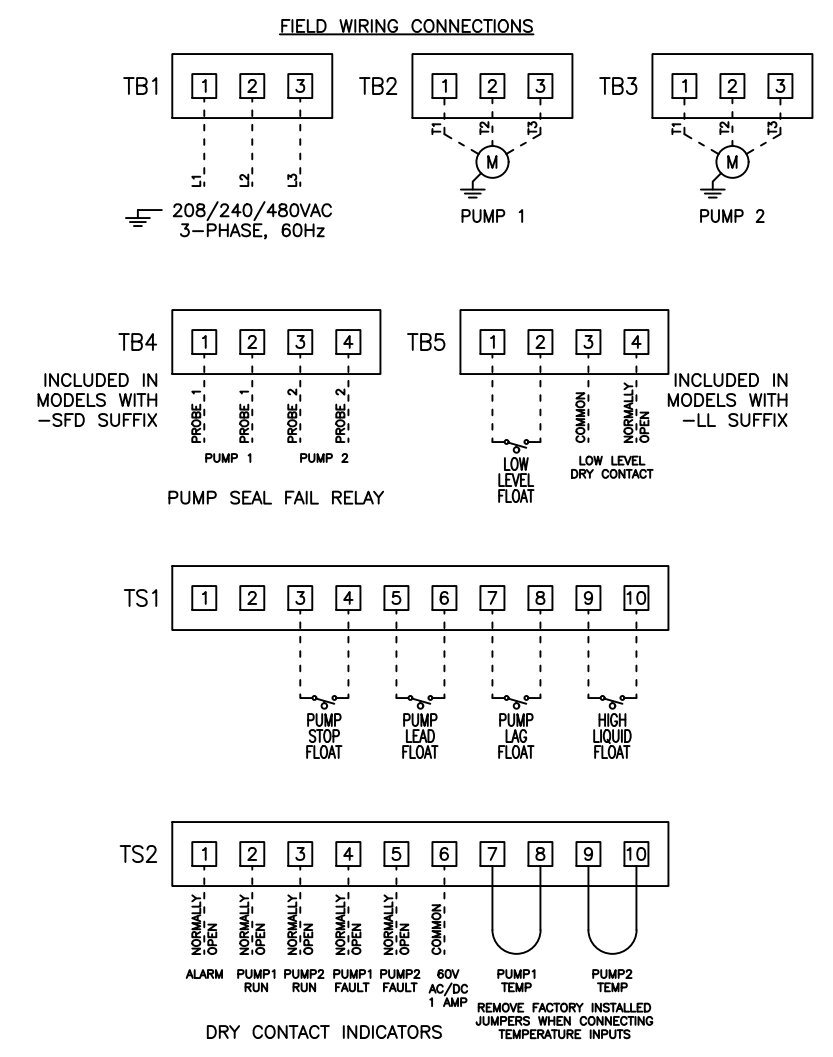
USE COPPER CONDUCTORS ONLY.
 TEMPERATURE RATING OF CONDUCTORS IS TO BE 60°C (167°F).
 BRANCH CIRCUIT PROTECTION SHALL BE PROVIDED BY THE INSTALLER; MUST BE SIZED ACCORDING TO PUMP/MOTOR MANUFACTURING SPECIFICATIONS.
 VERIFY CORRECT OPERATION OF CONTROL PANEL AFTER INSTALLATION IS COMPLETE.

DRAWN BY: KJ	DATE: 11/6/14	SEEWATER <i>inc.</i>			
APPROVED BY:	DATE:				
THIS DRAWING CONTAINS PROPRIETARY INFORMATION AND SHALL NOT BE USED OR DISCLOSED WITHOUT PRIOR WRITTEN AUTHORIZATION.		TITLE: WD3P-4-302X CONTROL SCHEMATIC			
		SIZE B	DWG NO. 1526	PART NO. WD3P-4-302X	REV J
		SCALE NONE	SHEET 2 OF 3		

REVDATE: 1019
 FNAME: WD3P-4-302X



REVISIONS				
ZONE	REV	DESCRIPTION	DATE	APPROVED
	A	ADDITION OF OPTIONAL SEAL FAIL RELAY	1/11/15	
	B	ADDITION OF OPTIONAL LOW LEVEL ALARM	5/2/16	
	C	UPDATED INSTRUCTIONS	5/24/17	
	D	UPDATED TERMINAL BLOCKS AND CIRCUIT BREAKER	8/25/17	
	E	REVISED CBS AND UPDATED POWER ON LIGHT	9/21/17	
	F	REVISED SEAL FAIL RELAY	1/9/18	
	G	TRANSFORMER LABEL X1 TO XF	4/29/19	
	H	TRANSFORMER INSTRUCTIONS	5/15/19	
	I	UPDATED LABELS AND FIELD WIRING	6/28/19	IF
	J	UPDATED MOTOR FIELD WIRING	10/30/19	AO



MULTITAP TRANSFORMER INSTRUCTIONS:

CONNECT FACTORY TAGGED WIRES TO APPROPRIATE TRANSFORMER VOLTAGE TAP. SEE BELOW FOR CONNECTIONS:

FOR 208V OPERATION, CONNECT TO FUSE INPUT H3F & TO TRANSFORMER TAP H3

FOR 240V OPERATION, CONNECT TO FUSE INPUT H2F & TO TRANSFORMER TAP H2

FOR 480V OPERATION, CONNECT TO FUSE INPUT H1F & TO TRANSFORMER TAP H1

NOTE: H1F, H2F & H3F ARE THE SAME TERMINAL

----- DASHED LINE INDICATES FIELD WIRING.

USE COPPER CONDUCTORS ONLY.
 TEMPERATURE RATING OF CONDUCTORS IS TO BE 60°C (167°F).
 BRANCH CIRCUIT PROTECTION SHALL BE PROVIDED BY THE INSTALLER; MUST BE SIZED ACCORDING TO PUMP/MOTOR MANUFACTURING SPECIFICATIONS.
 VERIFY CORRECT OPERATION OF CONTROL PANEL AFTER INSTALLATION IS COMPLETE.

DRAWN BY: KJ	DATE: 11/6/14				
APPROVED BY:	DATE:				
THIS DRAWING CONTAINS PROPRIETARY INFORMATION AND SHALL NOT BE USED OR DISCLOSED WITHOUT PRIOR WRITTEN AUTHORIZATION.		TITLE: WD3P-4-302X CONTROL SCHEMATIC			
		SIZE B	DWG NO. 1526	PART NO. WD3P-4-302X	REV J
		SCALE NONE	SHEET 3 OF 3		