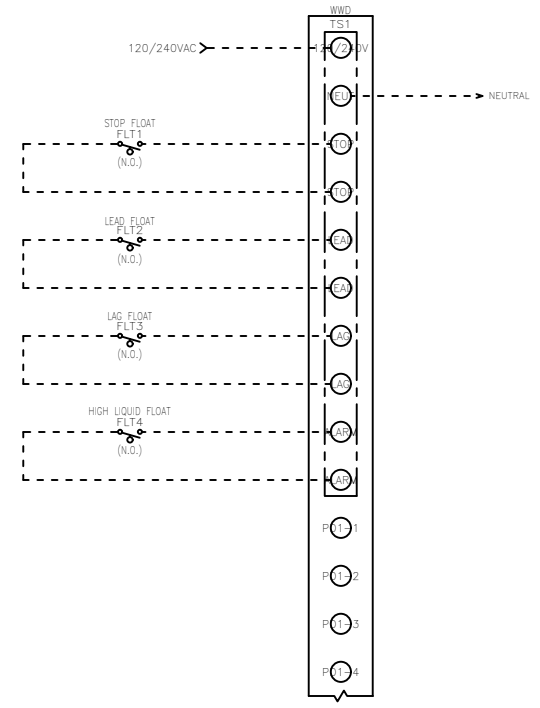
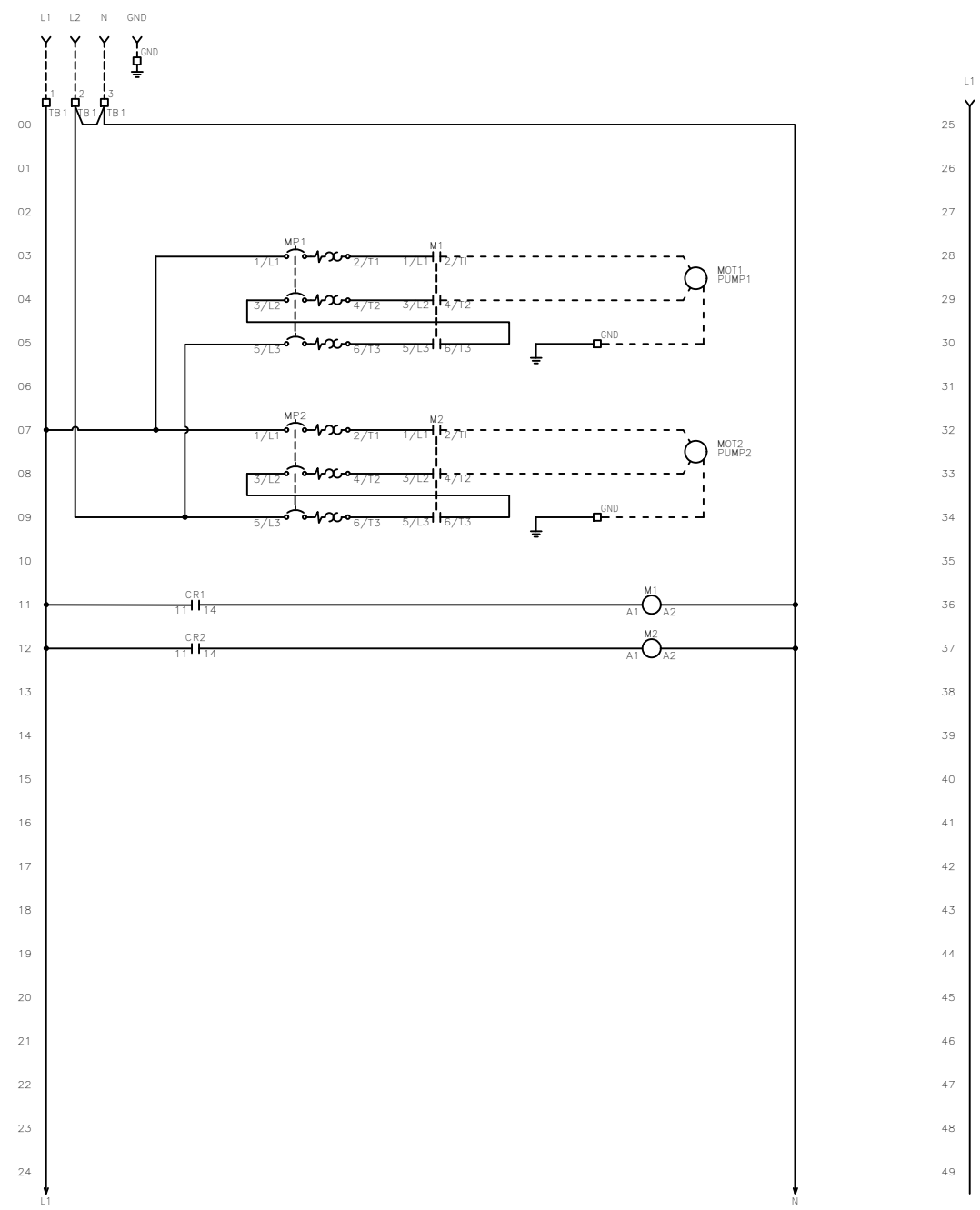


FNAME: WD1P-4-1025

REVDATE: 0521

| REVISIONS | | | | |
|-----------|-----|-----------------------------|--------|----------|
| ZONE | REV | DESCRIPTION | DATE | APPROVED |
| | 1 | UPDATED DRY CONTACT RATINGS | 5/4/21 | JED |



----- DASHED LINE INDICATES FIELD WIRING.

USE COPPER CONDUCTORS ONLY.

TEMPERATURE RATING OF CONDUCTORS IS TO BE:
60°C (140°F) FOR UNDER 100A.
75°C (167°F) FOR OVER 100A.

BRANCH CIRCUIT PROTECTION SHALL BE PROVIDED BY THE INSTALLER. MUST BE SIZED ACCORDING TO PUMP/MOTOR MANUFACTURING SPECIFICATIONS.

VERIFY CORRECT OPERATION OF CONTROL PANEL AFTER INSTALLATION IS COMPLETE.

| FIELD WIRING TORQUE SPECS. | |
|----------------------------|-----------|
| TERMINAL BLOCK UT 2,5 | 5 IN-LB |
| TERMINAL BLOCK UT 4 | 7 IN-LB |
| TERMINAL BLOCK UT 6 | 15 IN-LB |
| TERMINAL BLOCK UT 10 | 15 IN-LB |
| TERMINAL BLOCK UT 16 | 25 IN-LB |
| TERMINAL BLOCK UT 35 | 30 IN-LB |
| TS1, TS2, J2 & J3 PCB | 5 IN-LB |
| TRANSFORMER H1F, H2F & H3F | 15 IN-LB |
| TRANSFORMER H1, H2 & H3 | 10 IN-LB |
| DS1 VLS3P63-125 R1 | 45 IN-LB |
| DS1 LK4JU3CN 100A | 36 IN-LB |
| DS1 LK4MU3N 200A | 200 IN-LB |
| M1/M2 T1, T2, & T3 | 15 IN-LB |

DRAWN BY: KJ DATE: 2/2/17

APPROVED BY: KM DATE: 2/2/17

THIS DRAWING CONTAINS PROPRIETARY INFORMATION AND SHALL NOT BE USED OR DISCLOSED WITHOUT PRIOR WRITTEN AUTHORIZATION.

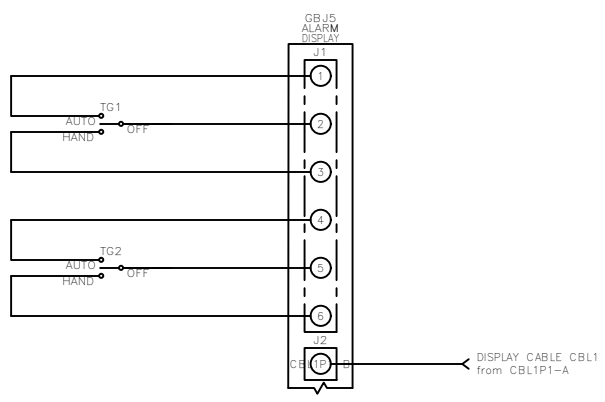
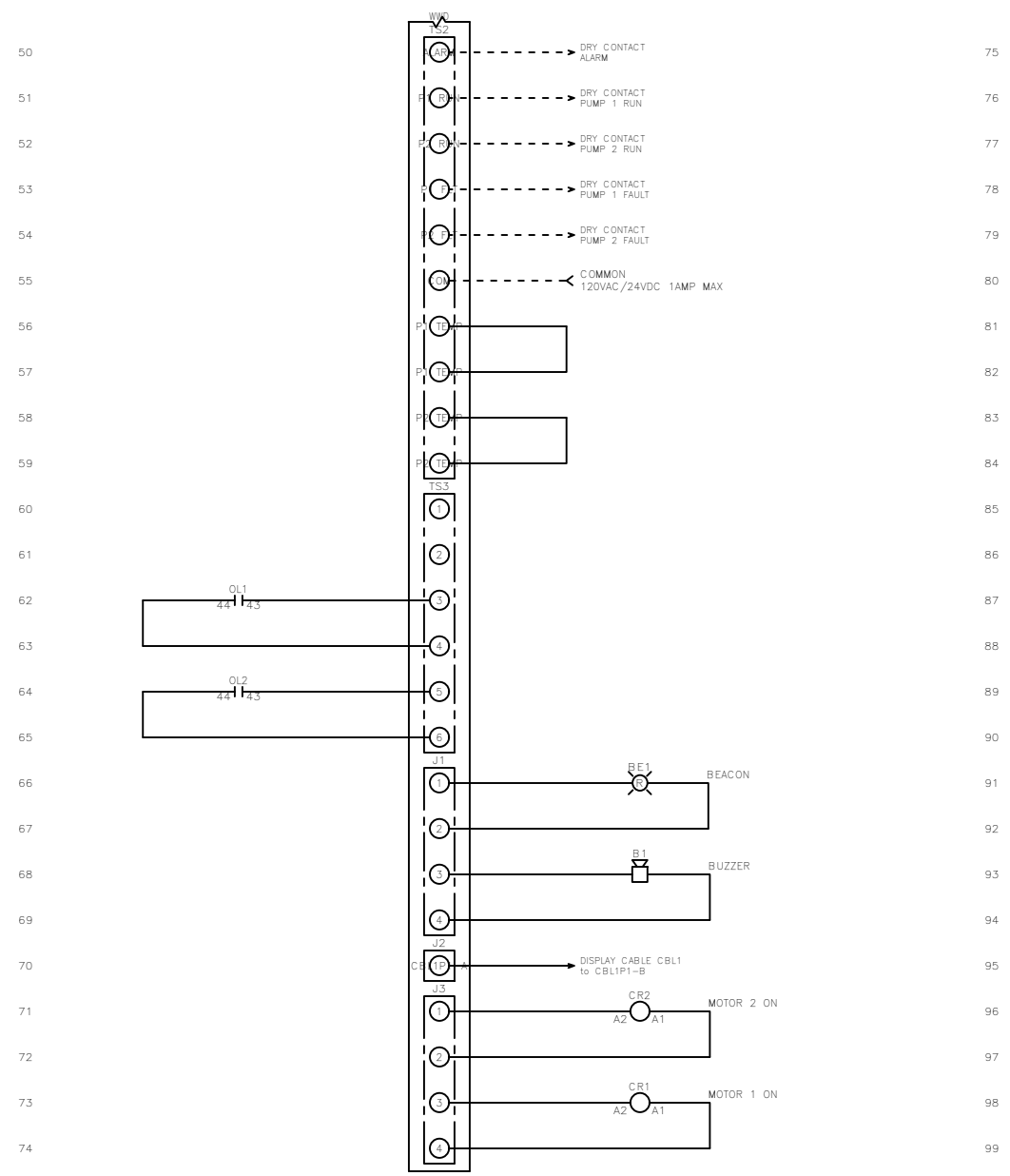


| | | | |
|--------------------------------------|--------------|-----------------------|--------|
| TITLE: WD1P-4-1025 CONTROL SCHEMATIC | | | |
| SIZE: B | DWG NO.: 388 | PART NO.: WD1P-4-1025 | REV: 1 |
| SCALE: NONE | | SHEET: 1 OF 2 | |

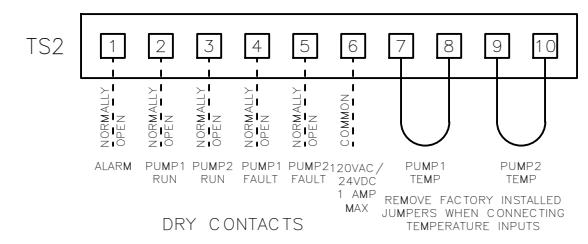
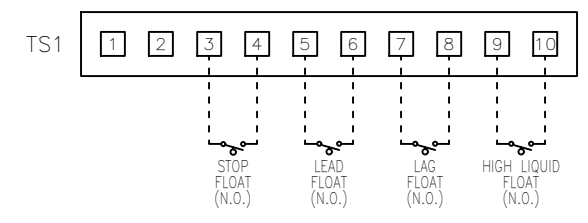
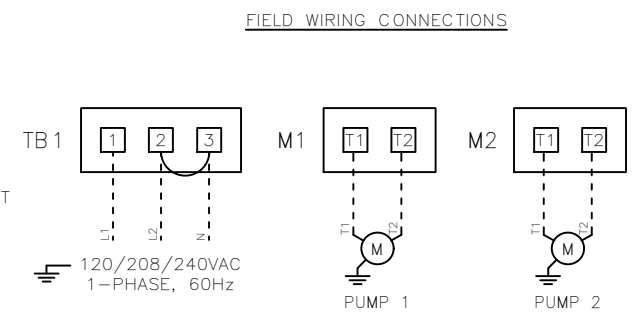
FNAME: WD1P-4-1025

REVDATE: 0521

| REVISIONS | | | | |
|-----------|-----|-----------------------------|--------|----------|
| ZONE | REV | DESCRIPTION | DATE | APPROVED |
| | 1 | UPDATED DRY CONTACT RATINGS | 5/4/21 | JED |



NOTE: FOR 208/240VAC OPERATION REMOVE WHITE JUMPER NEUTRAL REQUIRED FOR 120VAC CONTROL CIRCUIT



----- DASHED LINE INDICATES FIELD WIRING.

USE COPPER CONDUCTORS ONLY.

TEMPERATURE RATING OF CONDUCTORS IS TO BE:
60°C (140°F) FOR UNDER 100A.
75°C (167°F) FOR OVER 100A.

BRANCH CIRCUIT PROTECTION SHALL BE PROVIDED BY THE INSTALLER: MUST BE SIZED ACCORDING TO PUMP/MOTOR MANUFACTURING SPECIFICATIONS.

VERIFY CORRECT OPERATION OF CONTROL PANEL AFTER INSTALLATION IS COMPLETE.

| FIELD WIRING TORQUE SPECS. | |
|----------------------------|-----------|
| TERMINAL BLOCK UT 2,5 | 5 IN-LB |
| TERMINAL BLOCK UT 4 | 7 IN-LB |
| TERMINAL BLOCK UT 6 | 15 IN-LB |
| TERMINAL BLOCK UT 10 | 15 IN-LB |
| TERMINAL BLOCK UT 16 | 25 IN-LB |
| TERMINAL BLOCK UT 35 | 30 IN-LB |
| TS1, TS2, J2 & J3 PCB | 5 IN-LB |
| TRANSFORMER H1F, H2F & H3F | 15 IN-LB |
| TRANSFORMER H1, H2 & H3 | 10 IN-LB |
| DS1 VLS3P63-125 R1 | 45 IN-LB |
| DS1 LK4JU3CN 100A | 36 IN-LB |
| DS1 LK4MU3N 200A | 200 IN-LB |
| M1/M2 T1, T2, & T3 | 15 IN-LB |

DRAWN BY: KJ DATE: 2/2/17

APPROVED BY: KM DATE: 2/2/17

THIS DRAWING CONTAINS PROPRIETARY INFORMATION AND SHALL NOT BE USED OR DISCLOSED WITHOUT PRIOR WRITTEN AUTHORIZATION.



| | | | |
|--------------------------------------|---------------|-----------------------|--------|
| TITLE: WD1P-4-1025 CONTROL SCHEMATIC | | | |
| SIZE: B | DWG NO.: 388 | PART NO.: WD1P-4-1025 | REV: 1 |
| SCALE: NONE | SHEET: 2 OF 2 | | |