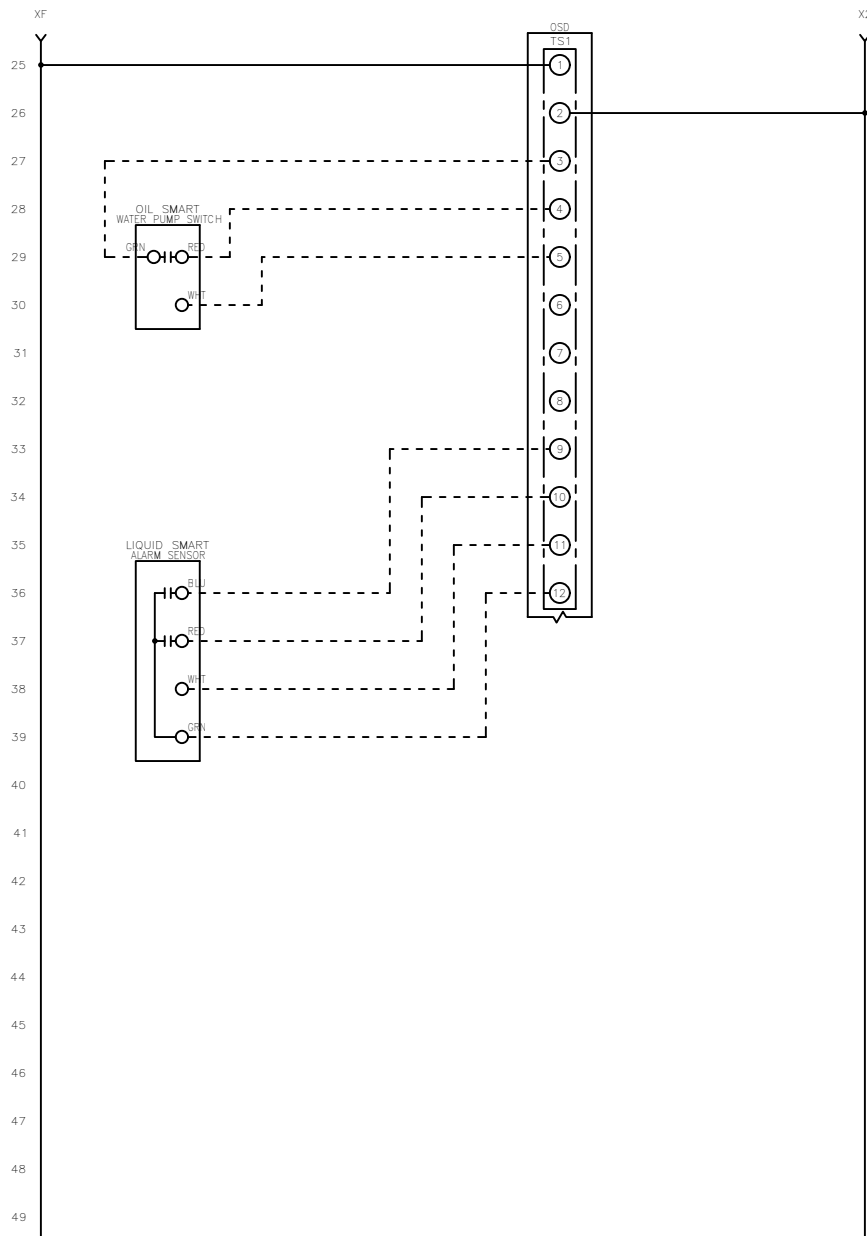
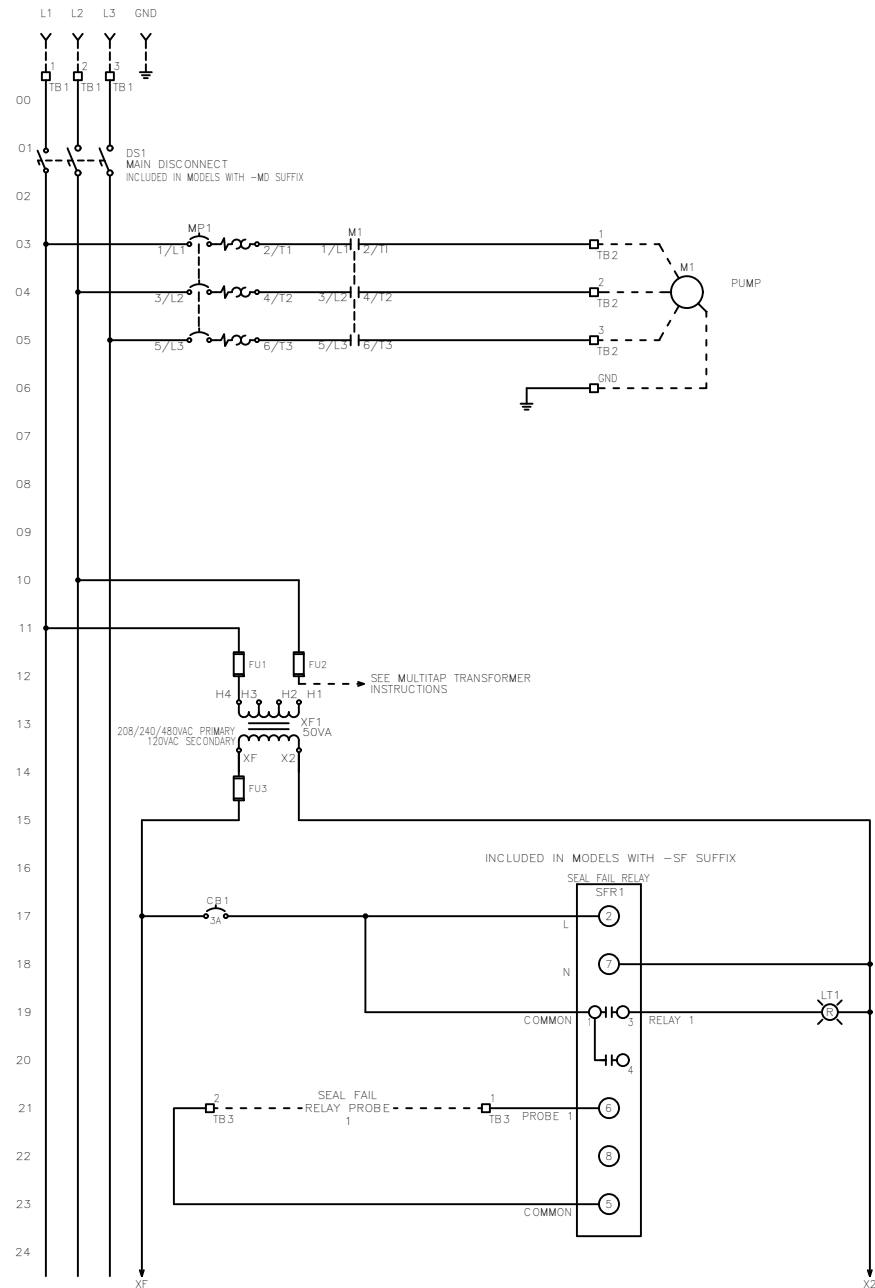


FNAME: OSSIM-TP-(3001-3009)

REVDATE: 0420



REVISIONS				
ZONE	REV	DESCRIPTION	DATE	APPROVED
	A	ADDED OSD BOARD & OPTIONAL SEAL FAIL RELAY	7/29/15	
	B	RELOCATION OF TERMINAL BLOCKS	12/29/16	
	C	UPDATED INSTRUCTIONS	5/23/17	
	D	ADDITION OF SEAL FAIL RELAY CIRCUIT BREAKER	8/28/17	
	E	REVISED CB1 AND UPDATED POWER ON LIGHT	9/21/17	
	F	REVISED SEAL FAIL RELAY	1/10/18	
	G	TRANSFORMER LABEL X1 TO XF	4/29/19	
	H	TRANSFORMER INSTRUCTIONS	5/15/19	
	I	UPDATED LABELS AND FIELD WIRING	6/28/19	IF
	J	UPDATED TITLE BLOCK	1/31/20	AO
	K	UPDATED GBJ5 WIRING	4/14/20	AO

MULTITAP TRANSFORMER INSTRUCTIONS:

CONNECT FACTORY TAGGED WIRES TO APPROPRIATE TRANSFORMER VOLTAGE TAP. SEE BELOW FOR CONNECTIONS:

FOR 208V OPERATION, CONNECT TO FUSE INPUT H3F & TO TRANSFORMER TAP H3

FOR 240V OPERATION, CONNECT TO FUSE INPUT H2F & TO TRANSFORMER TAP H2

FOR 480V OPERATION, CONNECT TO FUSE INPUT H1F & TO TRANSFORMER TAP H1

NOTE: H1F, H2F & H3F ARE THE SAME TERMINAL

----- DASHED LINE INDICATES FIELD WIRING.

USE COPPER CONDUCTORS ONLY.

TEMPERATURE RATING OF CONDUCTORS IS TO BE: 60°C (140°F) FOR UNDER 100A. 75°C (167°F) FOR OVER 100A.

BRANCH CIRCUIT PROTECTION SHALL BE PROVIDED BY THE INSTALLER: MUST BE SIZED ACCORDING TO PUMP/MOTOR MANUFACTURING SPECIFICATIONS.

VERIFY CORRECT OPERATION OF CONTROL PANEL AFTER INSTALLATION IS COMPLETE.

FIELD WIRING TORQUE SPECS.	
TERMINAL BLOCK UT 2,5	5 IN-LB
TERMINAL BLOCK UT 4	7 IN-LB
TERMINAL BLOCK UT 6	15 IN-LB
TERMINAL BLOCK UT 10	15 IN-LB
TERMINAL BLOCK UT 16	25 IN-LB
TERMINAL BLOCK UT 35	30 IN-LB
TS1, TS2, J2 & J3 PCB	5 IN-LB
TRANSFORMER H1F, H2F & H3F	15 IN-LB
TRANSFORMER H1, H2 & H3	10 IN-LB
M.D. VLS3P16-63 R1	16 IN-LB
M.D. VLS3P63-125 R1	45 IN-LB
M.D. LK4JU3CN 100A	36 IN-LB
M.D. LK4MU3N 200A	200 IN-LB

DRAWN BY: MM
DATE: 7/20/14
APPROVED BY:

THIS DRAWING CONTAINS PROPRIETARY INFORMATION AND SHALL NOT BE USED OR DISCLOSED WITHOUT PRIOR WRITTEN AUTHORIZATION.

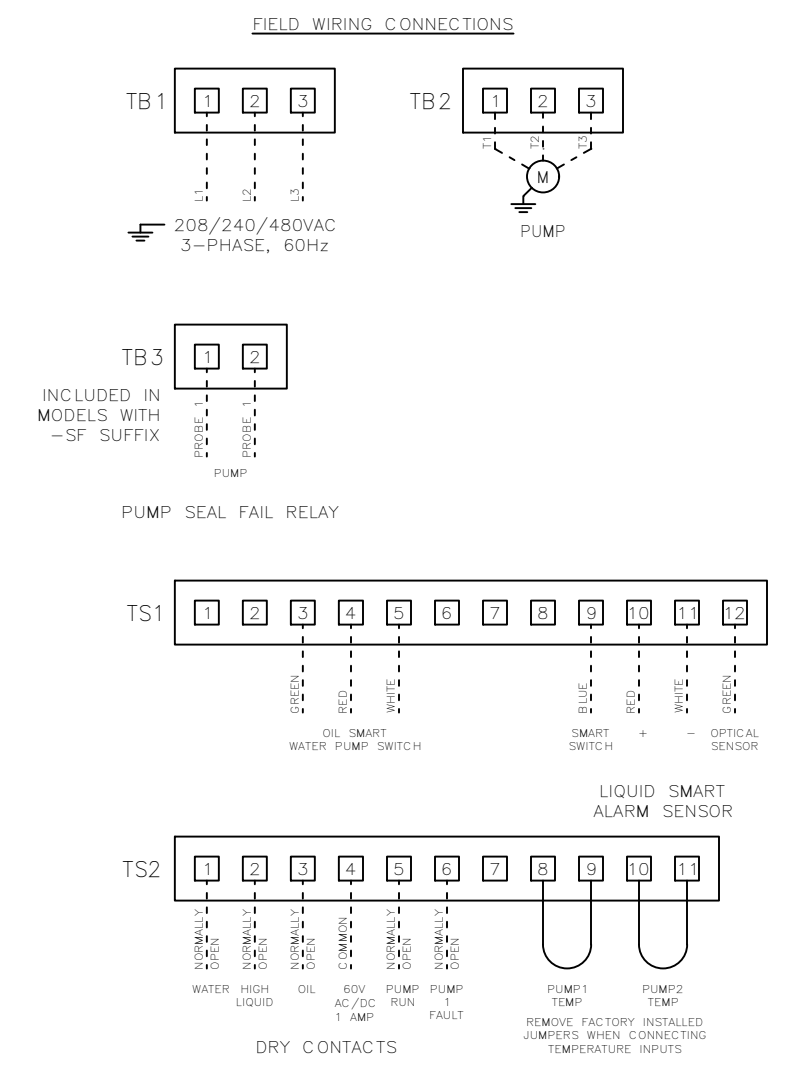
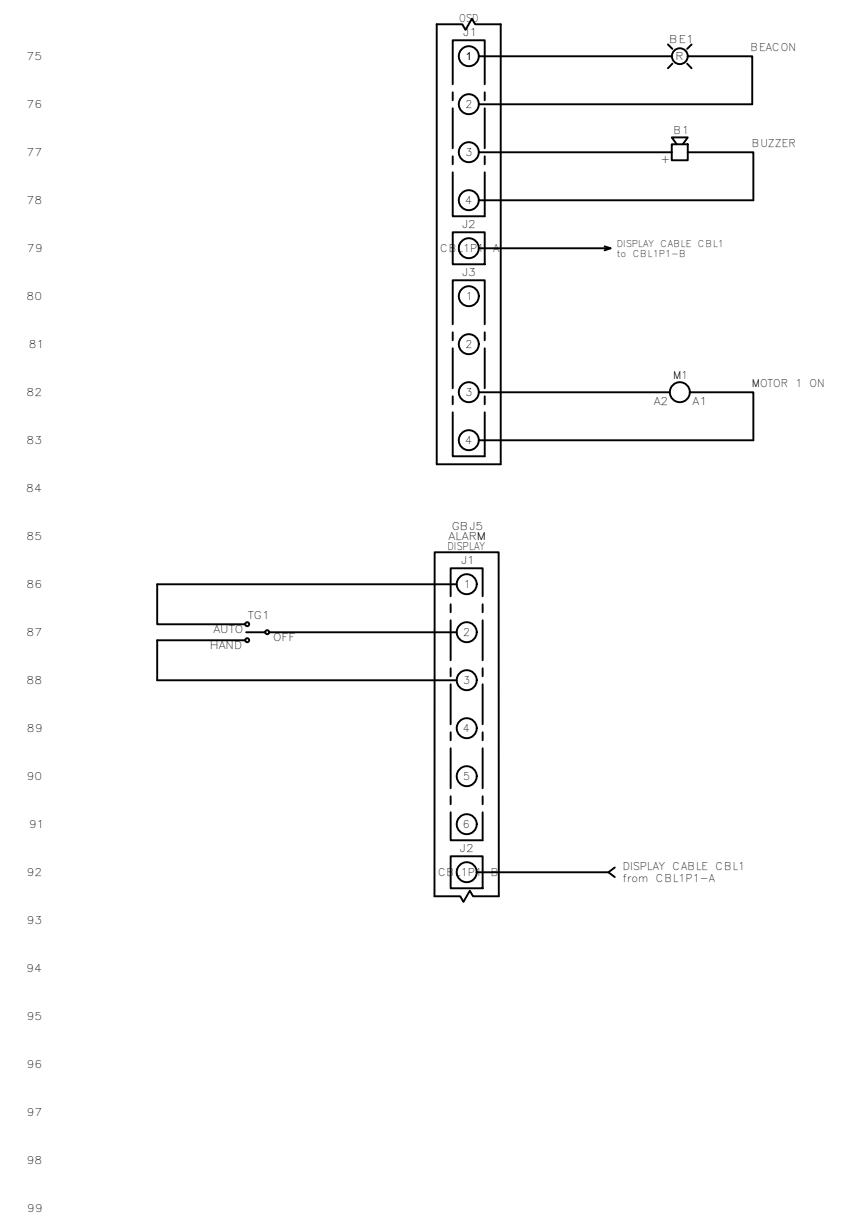
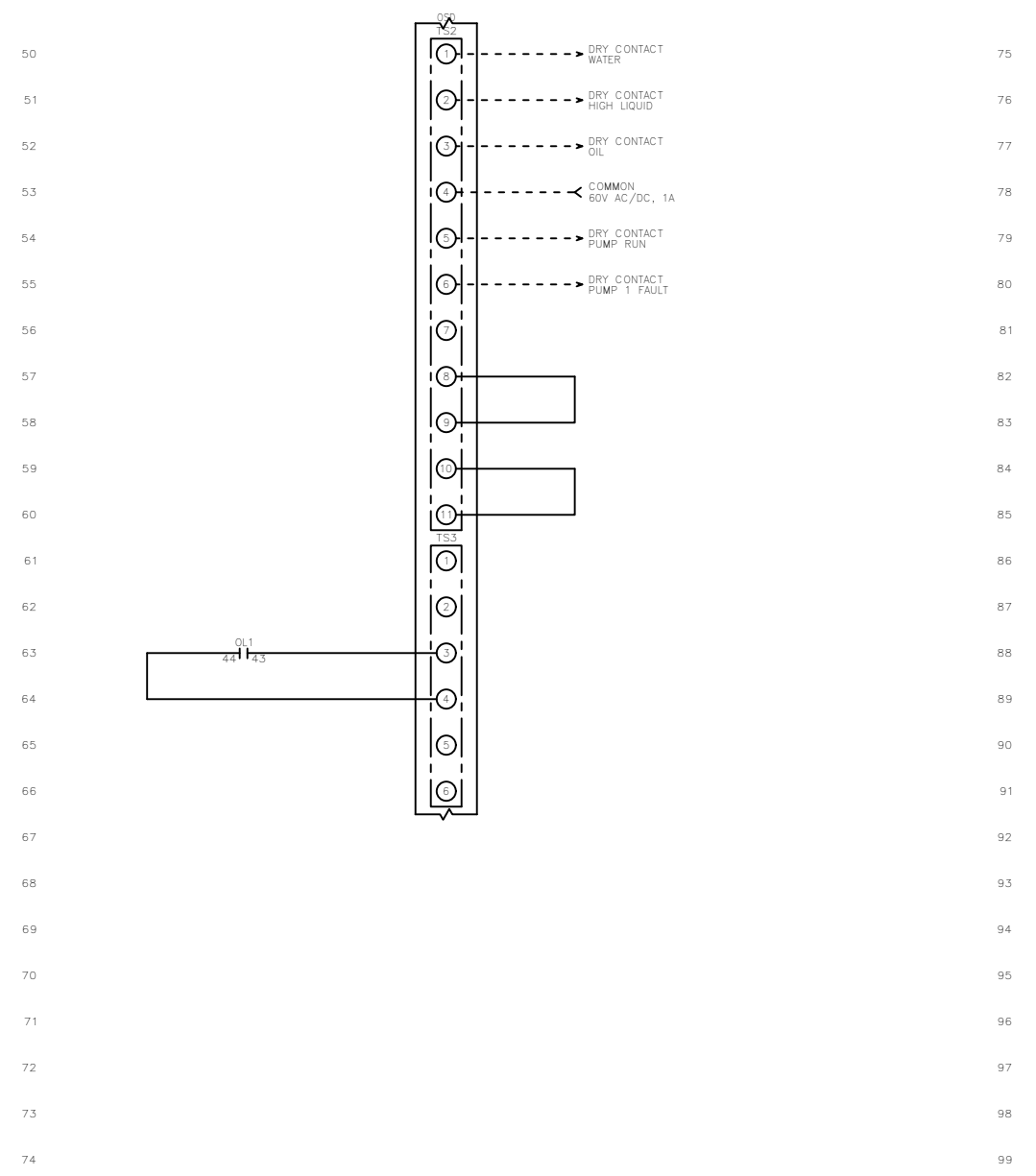


TITLE: OSSIM-TP-(3001-3009) CONTROL SCHEMATIC			
SIZE: B	DWG NO.: 1513	PART NO.: OSSIM-TP-(3001-3009)	REV: K
SCALE: NONE	SHEET: 1 OF 2		

FNAME: OSSIM-TP-(3001-3009)

REVDATE: 0420

REVISIONS				
ZONE	REV	DESCRIPTION	DATE	APPROVED
	A	ADDED OSD BOARD & OPTIONAL SEAL FAIL RELAY	7/29/15	
	B	RELOCATION OF TERMINAL BLOCKS	12/29/16	
	C	UPDATED INSTRUCTIONS	5/23/17	
	D	ADDITION OF SEAL FAIL RELAY CIRCUIT BREAKER	8/28/17	
	E	REVISED CB1 AND UPDATED POWER ON LIGHT	9/21/17	
	F	REVISED SEAL FAIL RELAY	1/10/18	
	G	TRANSFORMER LABEL X1 TO XF	4/29/19	
	H	TRANSFORMER INSTRUCTIONS	5/15/19	
	I	UPDATED LABELS AND FIELD WIRING	6/28/19	IF
	J	UPDATED TITLE BLOCK	1/31/20	AO
	K	UPDATED GBJ5 WIRING	4/14/20	AO



MULTITAP TRANSFORMER INSTRUCTIONS:

CONNECT FACTORY TAGGED WIRES TO APPROPRIATE TRANSFORMER VOLTAGE TAP. SEE BELOW FOR CONNECTIONS:

FOR 208V OPERATION, CONNECT TO FUSE INPUT H3F & TO TRANSFORMER TAP H3

FOR 240V OPERATION, CONNECT TO FUSE INPUT H2F & TO TRANSFORMER TAP H2

FOR 480V OPERATION, CONNECT TO FUSE INPUT H1F & TO TRANSFORMER TAP H1

NOTE: H1F, H2F & H3F ARE THE SAME TERMINAL

----- DASHED LINE INDICATES FIELD WIRING.

USE COPPER CONDUCTORS ONLY.

TEMPERATURE RATING OF CONDUCTORS IS TO BE: 60°C (140°F) FOR UNDER 100A. 75°C (167°F) FOR OVER 100A.

BRANCH CIRCUIT PROTECTION SHALL BE PROVIDED BY THE INSTALLER. MUST BE SIZED ACCORDING TO PUMP/MOTOR MANUFACTURING SPECIFICATIONS.

VERIFY CORRECT OPERATION OF CONTROL PANEL AFTER INSTALLATION IS COMPLETE.

FIELD WIRING TORQUE SPECS.	
TERMINAL BLOCK UT 2,5	5 IN-LB
TERMINAL BLOCK UT 4	7 IN-LB
TERMINAL BLOCK UT 6	15 IN-LB
TERMINAL BLOCK UT 10	15 IN-LB
TERMINAL BLOCK UT 16	25 IN-LB
TERMINAL BLOCK UT 35	30 IN-LB
TS1, TS2, J2 & J3 PCB	5 IN-LB
TRANSFORMER H1F, H2F & H3F	15 IN-LB
TRANSFORMER H1, H2 & H3	10 IN-LB
M.D. VLS3P16-63 R1	16 IN-LB
M.D. VLS3P63-125 R1	45 IN-LB
M.D. LK4JU3CN 100A	36 IN-LB
M.D. LK4MU3N 200A	200 IN-LB

DRAWN BY: MM DATE: 7/20/14

APPROVED BY: DATE:

THIS DRAWING CONTAINS PROPRIETARY INFORMATION AND SHALL NOT BE USED OR DISCLOSED WITHOUT PRIOR WRITTEN AUTHORIZATION.



TITLE: OSSIM-TP-(3001-3009) CONTROL SCHEMATIC			
SIZE: B	DWG NO.: 1513	PART NO.: OSSIM-TP-(3001-3009)	REV: K
SCALE: NONE	SHEET: 2 OF 2		