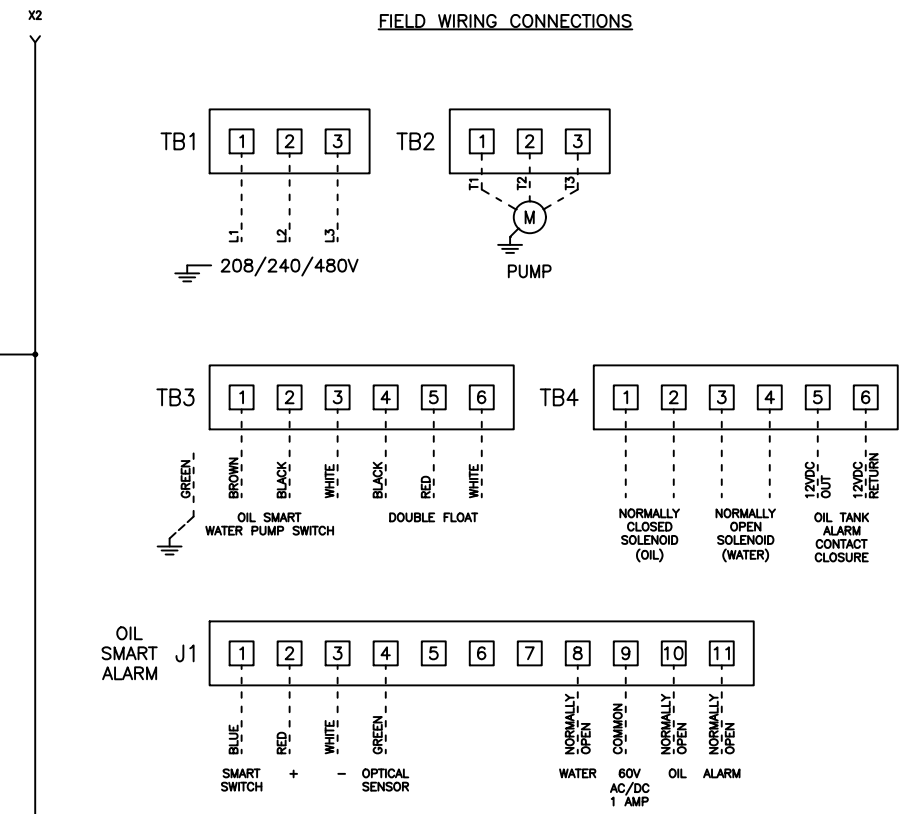
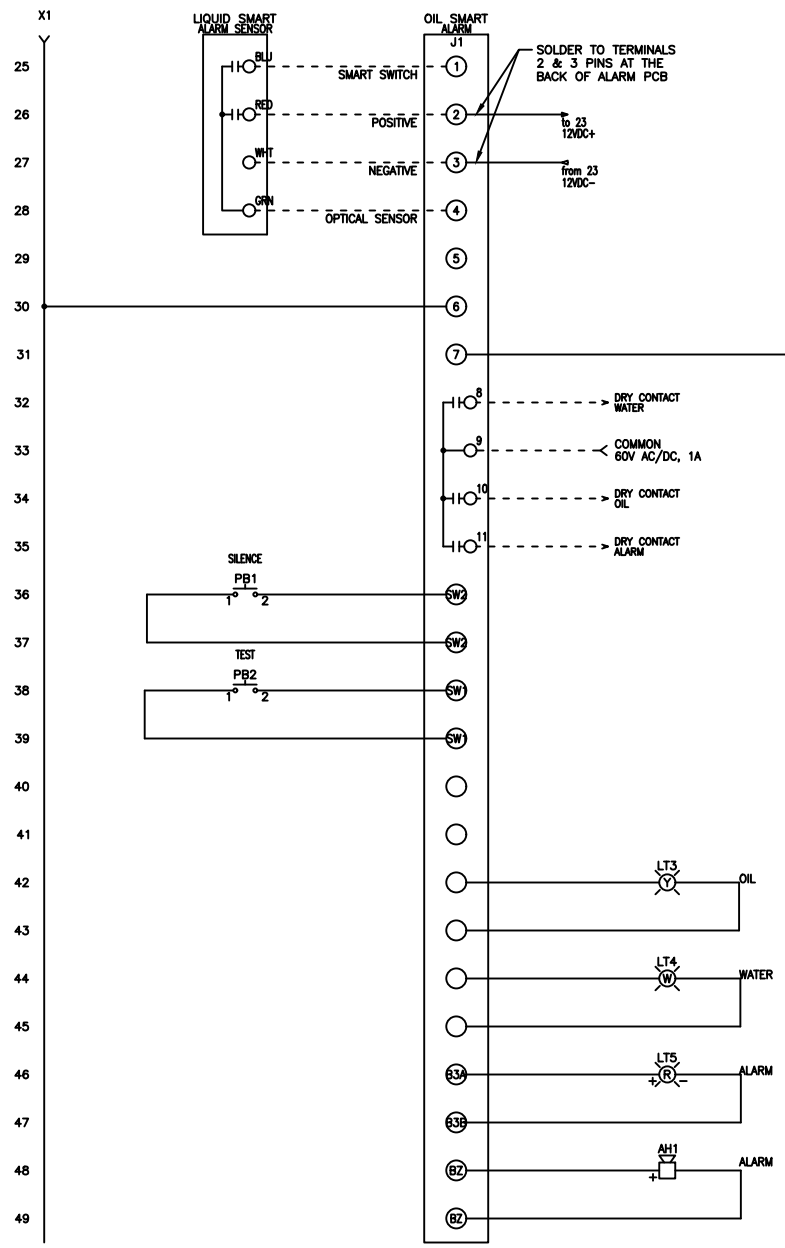
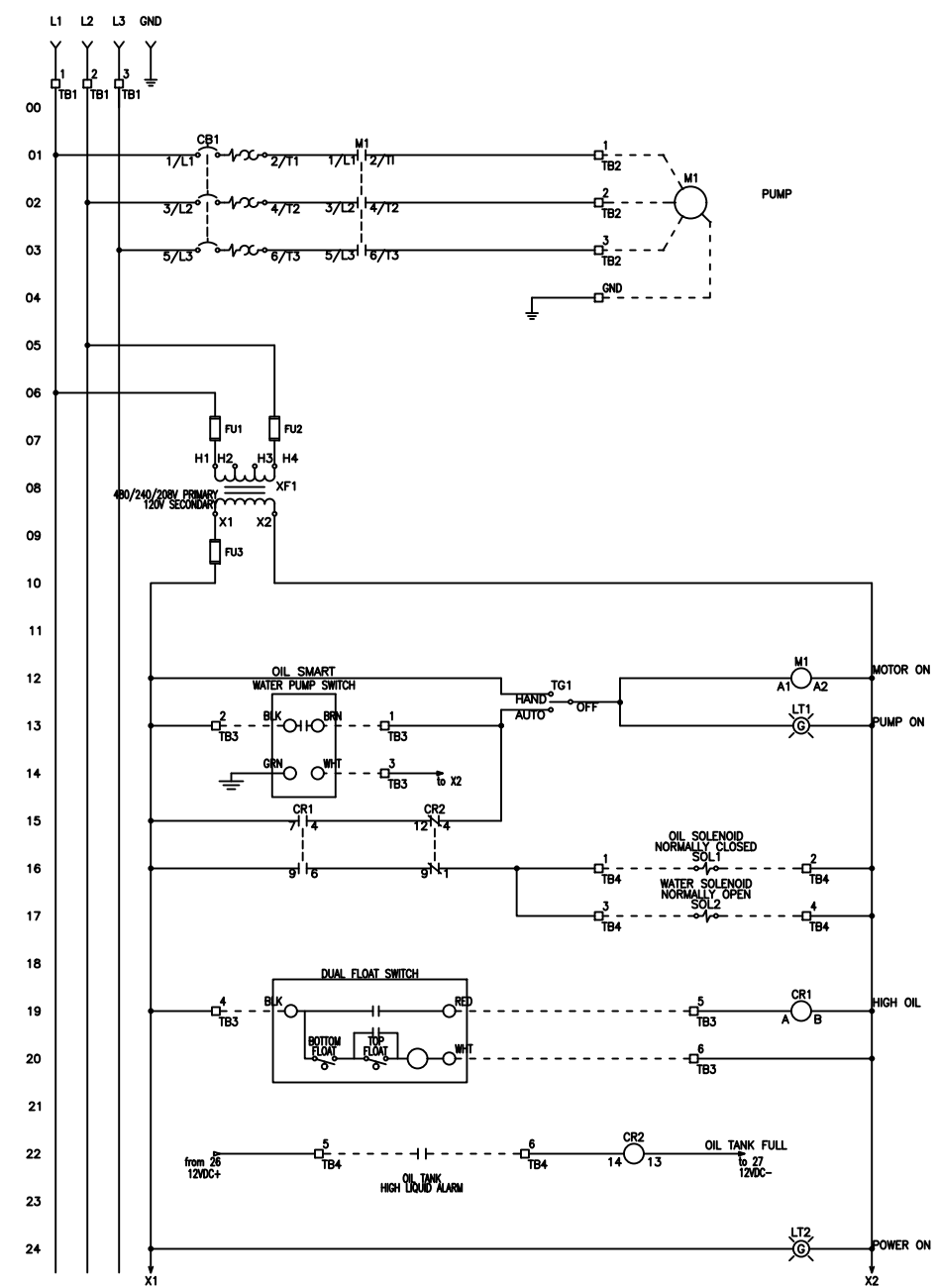


FRAME: OSSIM-TP-300X-OR

REVDATE: 1117

REVISIONS				
ZONE	REV	DESCRIPTION	DATE	APPROVED
	A	DUAL FLOAT SWITCH UPDATE	7/17/16	
	B	RELOCATION OF POWER ON LIGHT WIRING	12/15/16	
	C	OIL SMART SWITCH UPDATE	11/06/17	



MULTI-TAP TRANSFORMER
CONNECT FACTORY TAGGED WIRES TO L1 & L2 ON TERMINAL BLOCK AND CONNECT TO APPROPRIATE TRANSFORMER PRIMARY VOLTAGE TAP. SEE BELOW FOR CONNECTIONS:

FOR 208V OPERATION, CONNECT L1 & L2 TO TRANSFORMER TAPS H1 & H2.

FOR 240V OPERATION, CONNECT L1 & L2 TO TRANSFORMER TAPS H1 & H3.

FOR 480V OPERATION, CONNECT L1 & L2 TO TRANSFORMER TAPS H1 & H4.

----- DASHED LINE INDICATES FIELD WIRING.

USE COPPER CONDUCTORS ONLY.

TEMPERATURE RATING OF CONDUCTORS IS TO BE 60°C (167°F).

BRANCH CIRCUIT PROTECTION SHALL BE PROVIDED BY THE INSTALLER; MUST BE SIZED ACCORDING TO PUMP/MOTOR MANUFACTURING SPECIFICATIONS.

VERIFY CORRECT OPERATION OF CONTROL PANEL AFTER INSTALLATION IS COMPLETE.

DRAWN BY: MM
DATE: 12/11/15

APPROVED BY: _____
DATE: _____



THIS DRAWING CONTAINS PROPRIETARY INFORMATION AND SHALL NOT BE USED OR DISCLOSED WITHOUT PRIOR WRITTEN AUTHORIZATION.

TITLE: OSSIM-TP-300X-OR CONTROL SCHEMATIC				
SIZE B	DWG NO. 1572	PART NO. OSSIM-TP-300X-OR	REV C	
SCALE NONE	SHEET		1 OF 1	