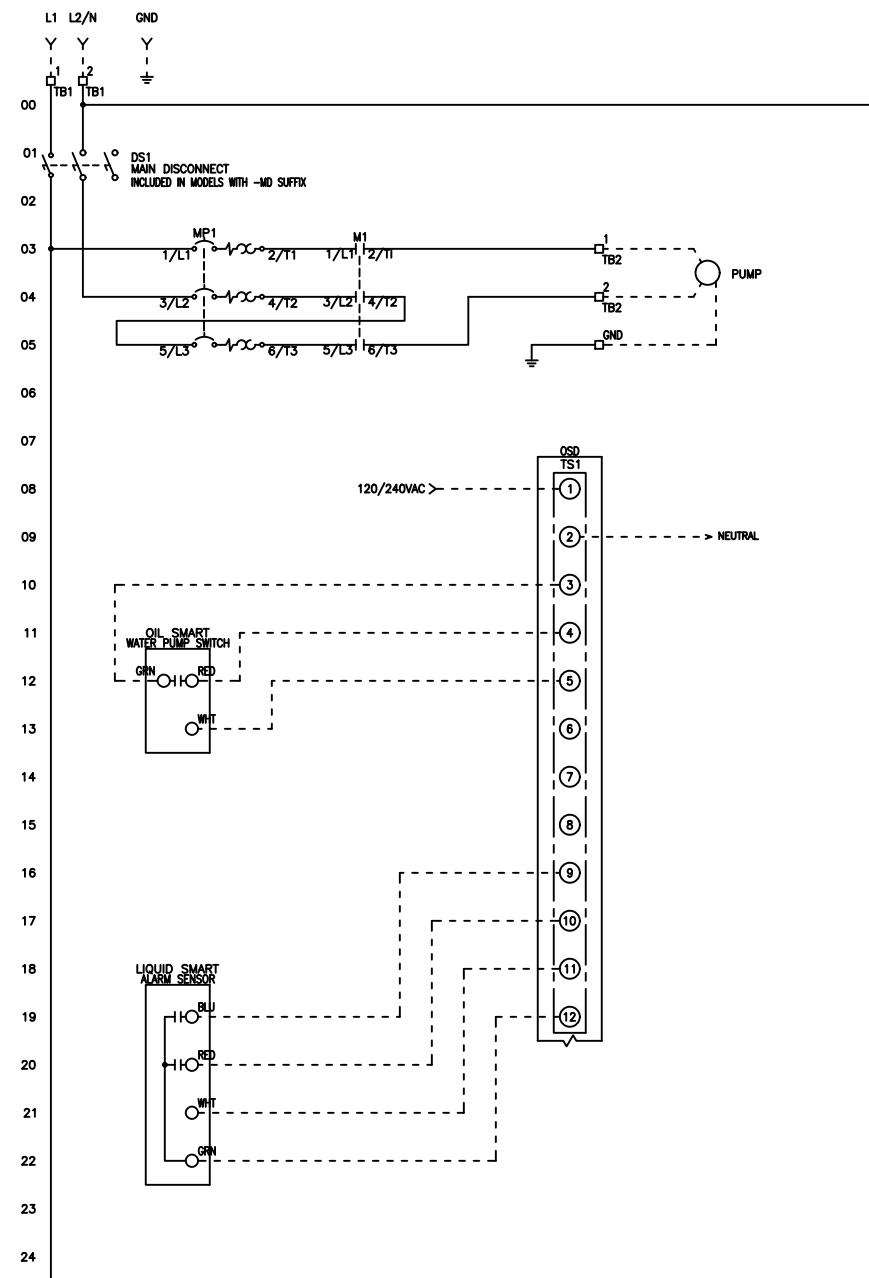


FNAME: OSSIM-TP-100X

REVDATE: 0320



----- DASHED LINE INDICATES FIELD WIRING.

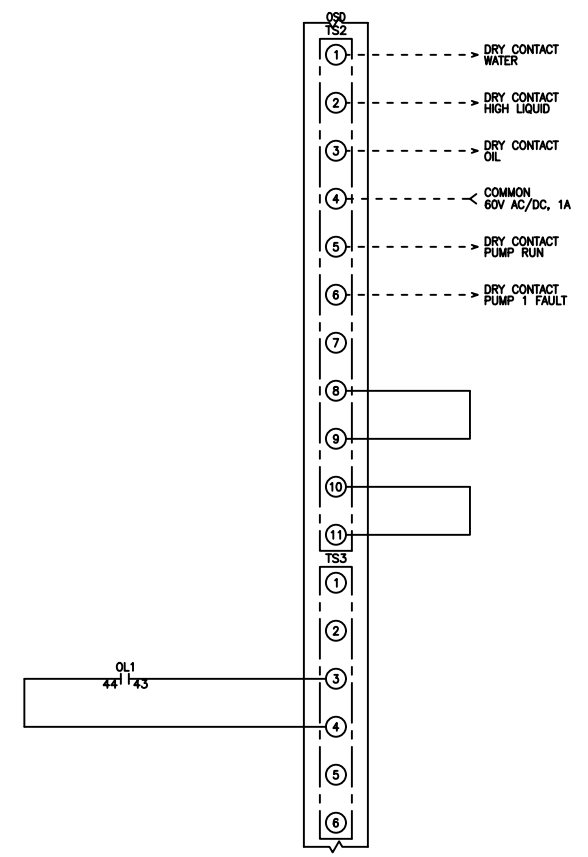
USE COPPER CONDUCTORS ONLY.

TEMPERATURE RATING OF CONDUCTORS IS TO BE:  
 60°C (140°F) FOR UNDER 100A.  
 75°C (167°F) FOR OVER 100A.

BRANCH CIRCUIT PROTECTION SHALL BE PROVIDED BY THE INSTALLER. MUST BE SIZED ACCORDING TO PUMP/MOTOR MANUFACTURING SPECIFICATIONS.

VERIFY CORRECT OPERATION OF CONTROL PANEL AFTER INSTALLATION IS COMPLETE.

25  
26  
27  
28  
29  
30  
31  
32  
33  
34  
35  
36  
37  
38  
39  
40  
41  
42  
43  
44  
45  
46  
47  
48  
49



REVISIONS				
ZONE	REV	DESCRIPTION	DATE	APPROVED
	A	ADDITION OF OSD BOARD AND OPTIONAL SEAL FAIL RELAY	7/29/15	
	B	RELOCATION OF TERMINAL BLOCKS	12/29/16	
	C	ADDITION OF SEAL FAIL RELAY CIRCUIT BREAKER	8/28/17	
	D	COMBINED TERMINAL BLOCKS AND REVISED CBS	9/21/17	
	E	REVISED SEAL FAIL RELAY	1/10/18	
	F	REVISED TS1 POWER RANGE	4/4/19	
	G	UPDATED LABELS AND FIELD WIRING	6/28/19	IF
	H	UPDATED POWER TERMINALS	12/6/19	AO
	I	UPDATED GBJ5 WIRING	3/3/20	AO

FIELD WIRING TORQUE SPECS.	
TERMINAL BLOCK UT 2,5	5 IN-LB
TERMINAL BLOCK UT 4	7 IN-LB
TERMINAL BLOCK UT 6	15 IN-LB
TERMINAL BLOCK UT 10	15 IN-LB
TERMINAL BLOCK UT 16	25 IN-LB
TERMINAL BLOCK UT 35	30 IN-LB
TS1, TS2, J2 & J3 PCB	5 IN-LB
TRANSFORMER H1F, H2F & H3F	15 IN-LB
TRANSFORMER H1, H2 & H3	10 IN-LB
M.D. VLS3P16-63 R1	16 IN-LB
M.D. VLS3P63-125 R1	45 IN-LB
M.D. LK4JU3CN 100A	36 IN-LB
M.D. LK4MU3N 200A	200 IN-LB

DRAWN BY: MM  
 DATE: 7/15/14

APPROVED BY: \_\_\_\_\_  
 DATE: \_\_\_\_\_

THIS DRAWING CONTAINS PROPRIETARY INFORMATION AND SHALL NOT BE USED OR DISCLOSED WITHOUT PRIOR WRITTEN AUTHORIZATION.

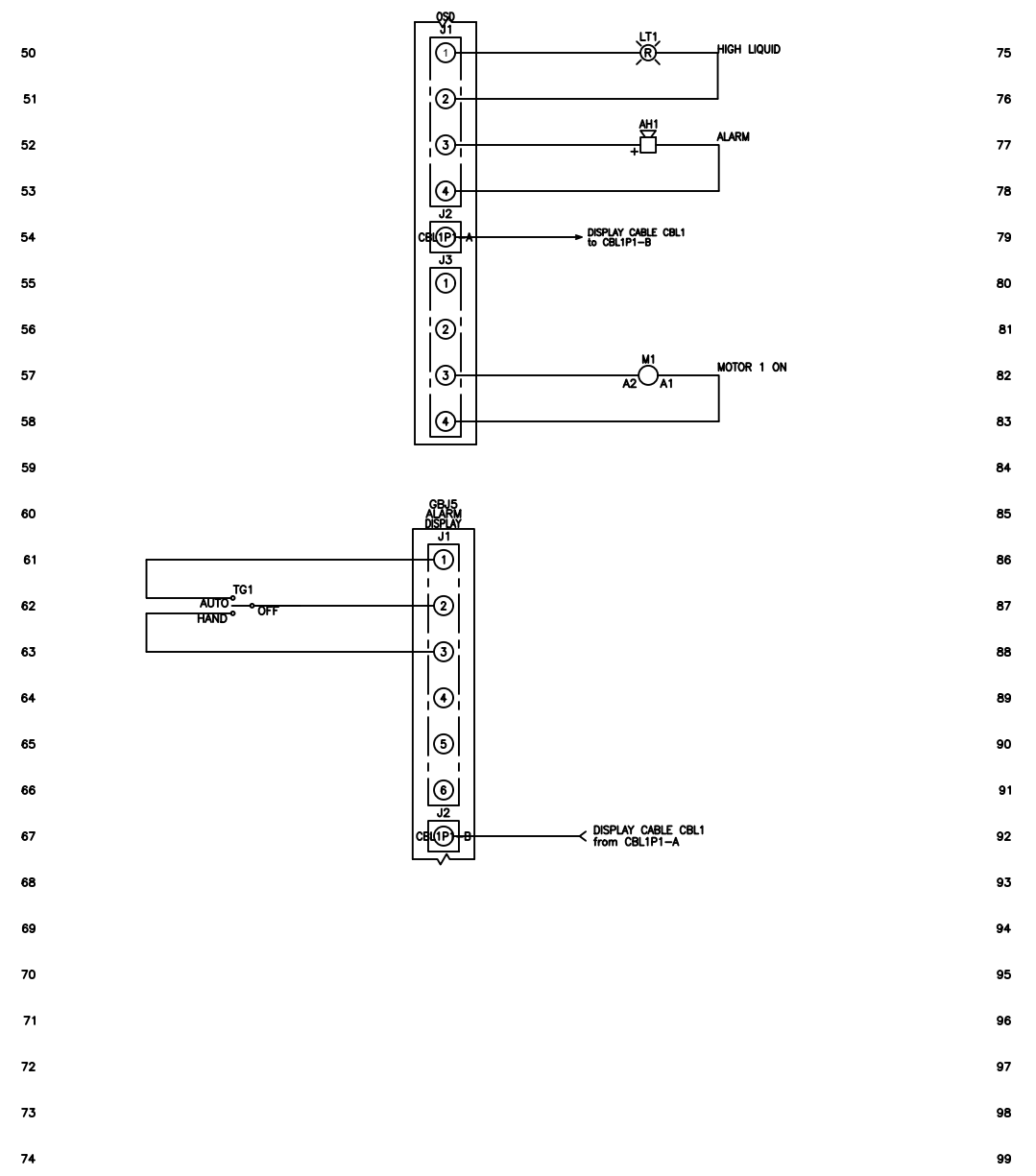


TITLE: OSSIM-TP-100X CONTROL SCHEMATIC			
SIZE: B	DWG NO.: 1512	PART NO.: OSSIM-TP-100X	REV: I
SCALE: NONE	SHEET: 1 OF 2		

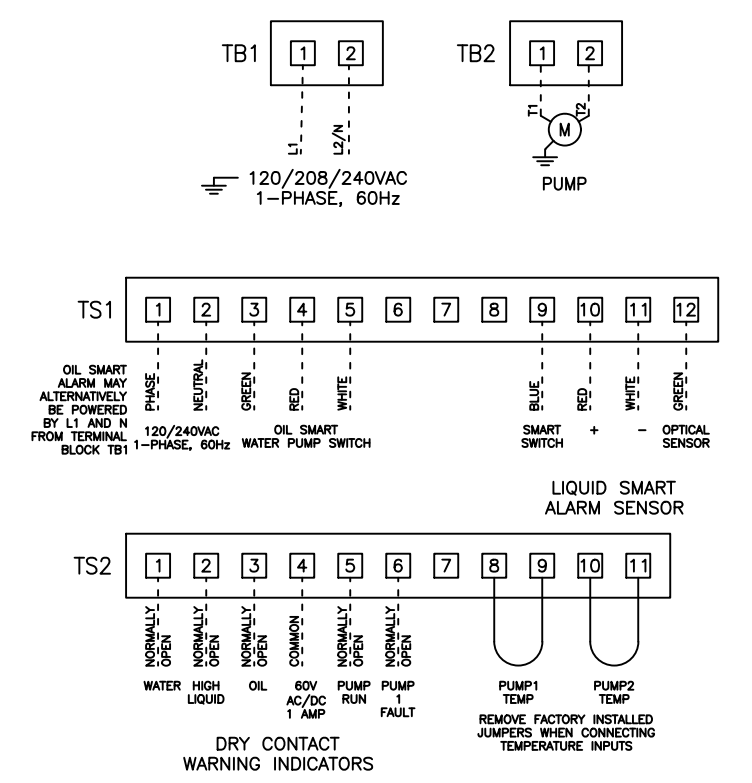
FRAME: OSSIM-TP-100X

REVDATE: 0320

REVISIONS				
ZONE	REV	DESCRIPTION	DATE	APPROVED
	A	ADDITION OF OSD BOARD AND OPTIONAL SEAL FAIL RELAY	7/29/15	
	B	RELOCATION OF TERMINAL BLOCKS	12/29/16	
	C	ADDITION OF SEAL FAIL RELAY CIRCUIT BREAKER	8/28/17	
	D	COMBINED TERMINAL BLOCKS AND REVISED CBS	9/21/17	
	E	REVISED SEAL FAIL RELAY	1/10/18	
	F	REVISED TS1 POWER RANGE	4/4/19	
	G	UPDATED LABELS AND FIELD WIRING	6/28/19	IF
	H	UPDATED POWER TERMINALS	12/6/19	AO
	I	UPDATED GBJ5 WIRING	3/3/20	AO



**FIELD WIRING CONNECTIONS**



----- DASHED LINE INDICATES FIELD WIRING.

USE COPPER CONDUCTORS ONLY.

TEMPERATURE RATING OF CONDUCTORS IS TO BE:  
 60°C (140°F) FOR UNDER 100A.  
 75°C (167°F) FOR OVER 100A.

BRANCH CIRCUIT PROTECTION SHALL BE PROVIDED BY THE INSTALLER: MUST BE SIZED ACCORDING TO PUMP/MOTOR MANUFACTURING SPECIFICATIONS.

VERIFY CORRECT OPERATION OF CONTROL PANEL AFTER INSTALLATION IS COMPLETE.

FIELD WIRING TORQUE SPECS.	
TERMINAL BLOCK UT 2,5	5 IN-LB
TERMINAL BLOCK UT 4	7 IN-LB
TERMINAL BLOCK UT 6	15 IN-LB
TERMINAL BLOCK UT 10	15 IN-LB
TERMINAL BLOCK UT 16	25 IN-LB
TERMINAL BLOCK UT 35	30 IN-LB
TS1, TS2, J2 & J3 PCB	5 IN-LB
TRANSFORMER H1F, H2F & H3F	15 IN-LB
TRANSFORMER H1, H2 & H3	10 IN-LB
M.D. VLS3P16-63 R1	16 IN-LB
M.D. VLS3P63-125 R1	45 IN-LB
M.D. LK4JU3CN 100A	36 IN-LB
M.D. LK4MU3N 200A	200 IN-LB

DRAWN BY: MM  
 DATE: 7/15/14

APPROVED BY: \_\_\_\_\_  
 DATE: \_\_\_\_\_

THIS DRAWING CONTAINS PROPRIETARY INFORMATION AND SHALL NOT BE USED OR DISCLOSED WITHOUT PRIOR WRITTEN AUTHORIZATION.



TITLE: OSSIM-TP-100X CONTROL SCHEMATIC			
SIZE: B	DWG NO.: 1512	PART NO.: OSSIM-TP-100X	REV: 1
SCALE: NONE	SHEET: 2 OF 2		