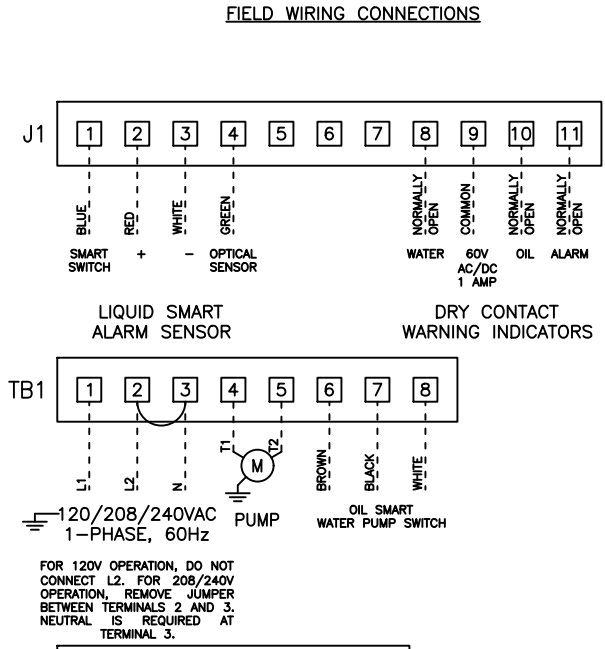
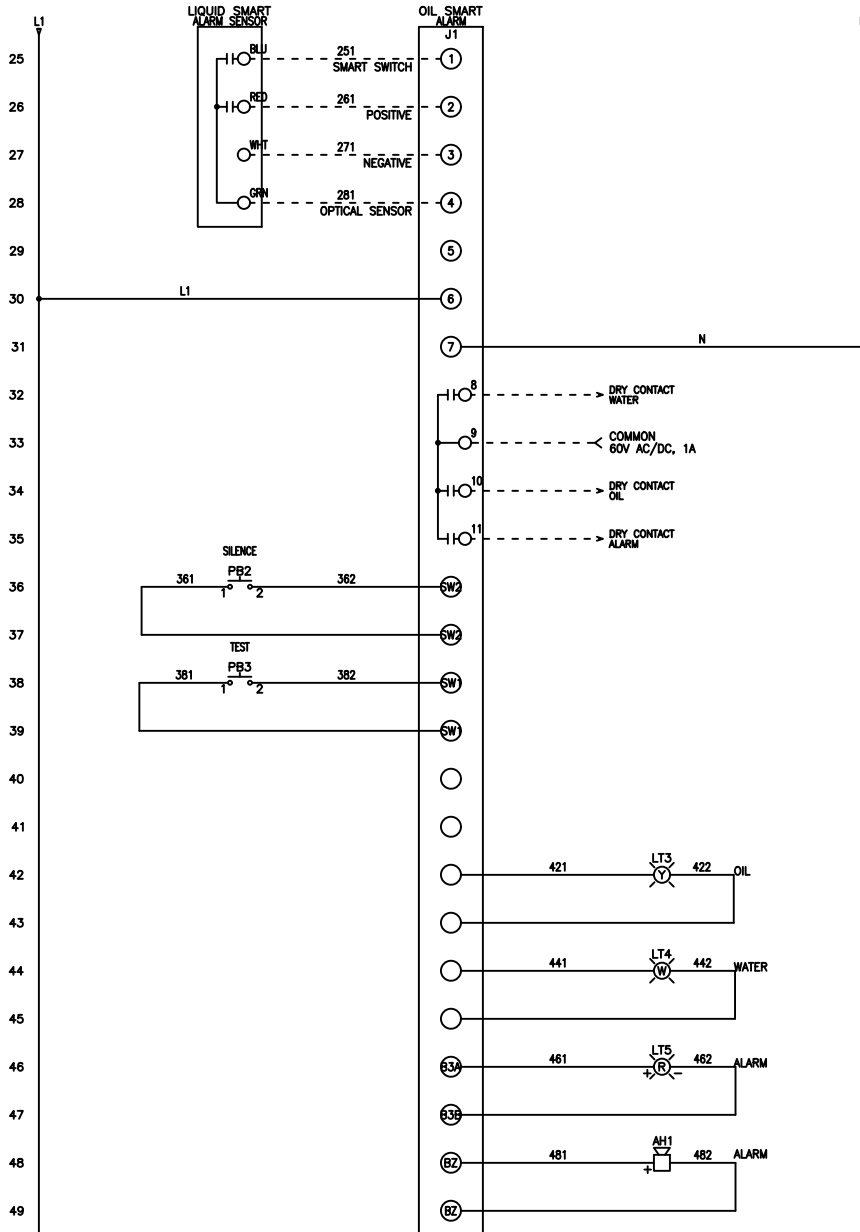
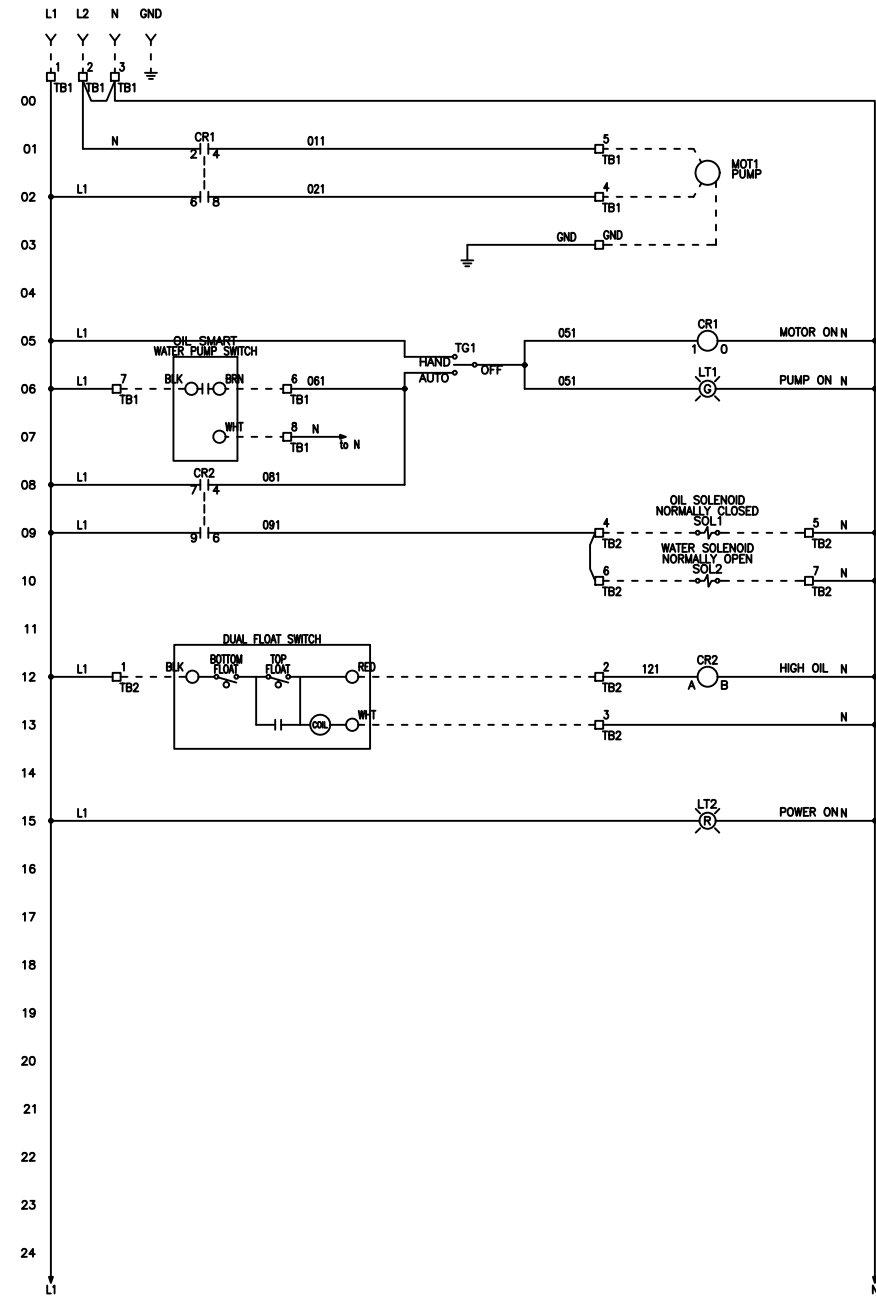


FRAME: OSSIM-30-OR

REVDATE: 120

REVISIONS				
ZONE	REV	DESCRIPTION	DATE	APPROVED
	A	DUAL FLOAT SWITCH UPDATE	6/18/16	
	B	DUAL FLOAT SWITCH UPDATE. REMOVAL OF OIL TANK ALARM.	8/6/18	
	C	ADJUSTED TB #'S & FIELD WIRING	1/3/20	



----- DASHED LINE INDICATES FIELD WIRING.

USE COPPER CONDUCTORS ONLY.
 TEMPERATURE RATING OF CONDUCTORS IS TO BE 60°C (167°F).
 BRANCH CIRCUIT PROTECTION SHALL BE PROVIDED BY THE INSTALLER. MUST BE SIZED ACCORDING TO PUMP/MOTOR MANUFACTURING SPECIFICATIONS.
 VERIFY CORRECT OPERATION OF CONTROL PANEL AFTER INSTALLATION IS COMPLETE.

DRAWN BY: MM
 DATE: 4/18/14
 APPROVED BY:
 DATE:
 THIS DRAWING CONTAINS PROPRIETARY INFORMATION AND SHALL NOT BE USED OR DISCLOSED WITHOUT PRIOR WRITTEN AUTHORIZATION.



TITLE: OSSIM-30-OR CONTROL SCHEMATIC			
SIZE B	DWG NO. 1503	PART NO. OSSIM-30-OR	REV C
SCALE NONE		SHEET 1 OF 1	