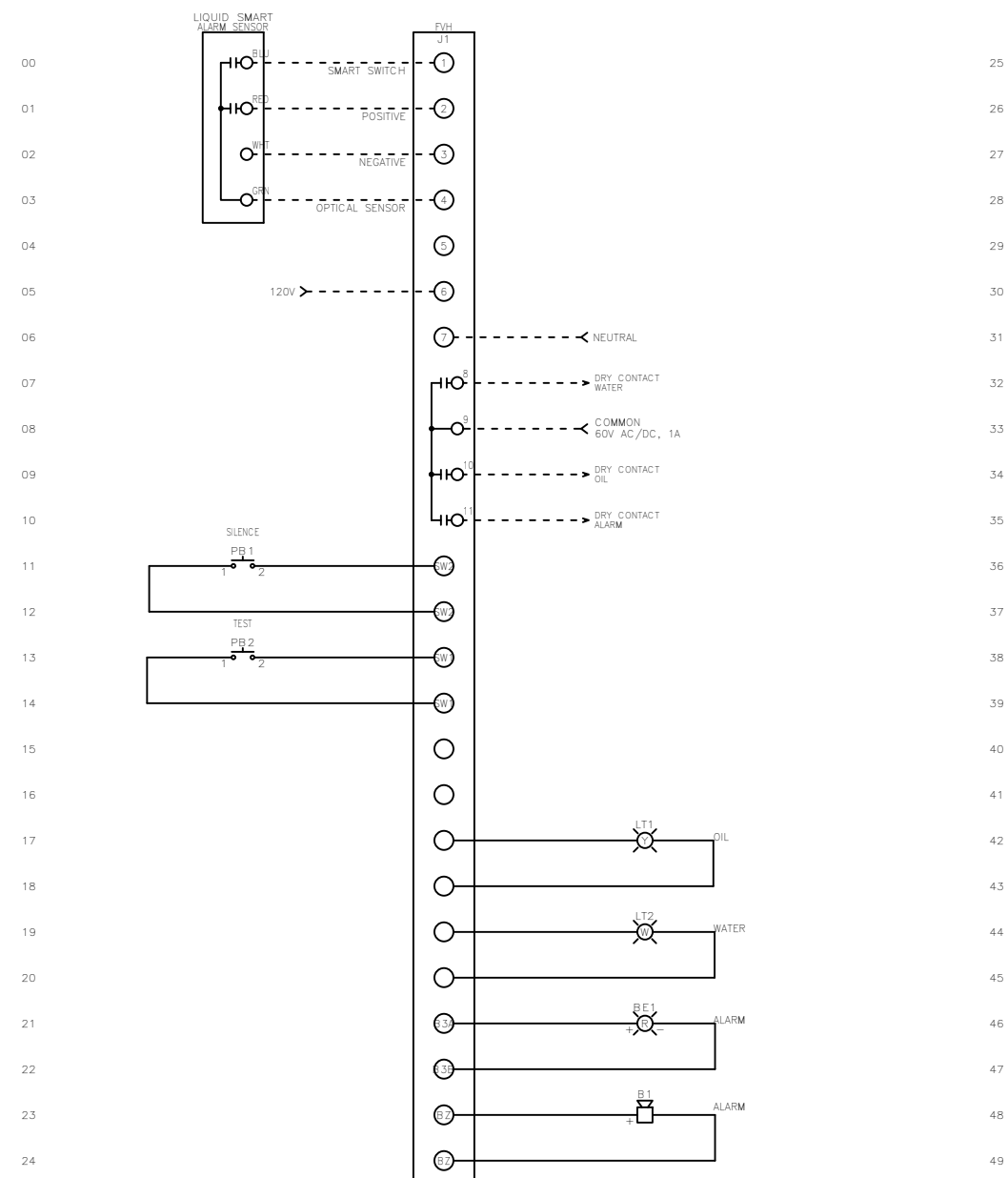
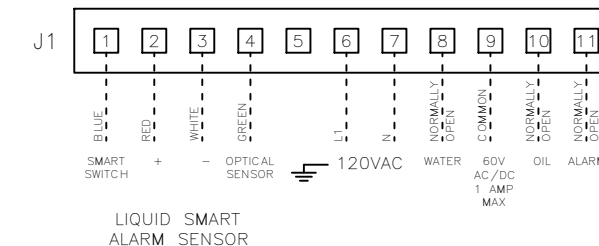


FILENAME: OSA-06

REVDATE: 0116

| REVISIONS | | | | |
|-----------|-----|-------------|------|----------|
| ZONE | REV | DESCRIPTION | DATE | APPROVED |

FIELD WIRING CONNECTIONS



----- DASHED LINE INDICATES FIELD WIRING.

USE COPPER CONDUCTORS ONLY.

TEMPERATURE RATING OF CONDUCTORS IS TO BE:
60°C (140°F) FOR UNDER 100A.
75°C (167°F) FOR OVER 100A.

BRANCH CIRCUIT PROTECTION SHALL BE PROVIDED BY THE INSTALLER: MUST BE SIZED ACCORDING TO PUMP/MOTOR MANUFACTURING SPECIFICATIONS.

VERIFY CORRECT OPERATION OF CONTROL PANEL AFTER INSTALLATION IS COMPLETE.

| | | | | | | | |
|---------------------------------------|--|------------------|-----------------|-----------|-----------------|--------------------|-----|
| DRAWN BY: MM | | DATE: 1/15/16 | | | | | |
| APPROVED BY: KM | | DATE: 1/15/16 | | | | | |
| TITLE: OSA-06 CONTROL SCHEMATIC | | | | SIZE B | DWG NO. 1579 | PART NO. OSA-06 | REV |
| SCALE NONE | | | SHEET 1 OF 1 | | | | |

THIS DRAWING CONTAINS PROPRIETARY INFORMATION AND SHALL NOT BE USED OR DISCLOSED WITHOUT PRIOR WRITTEN AUTHORIZATION.