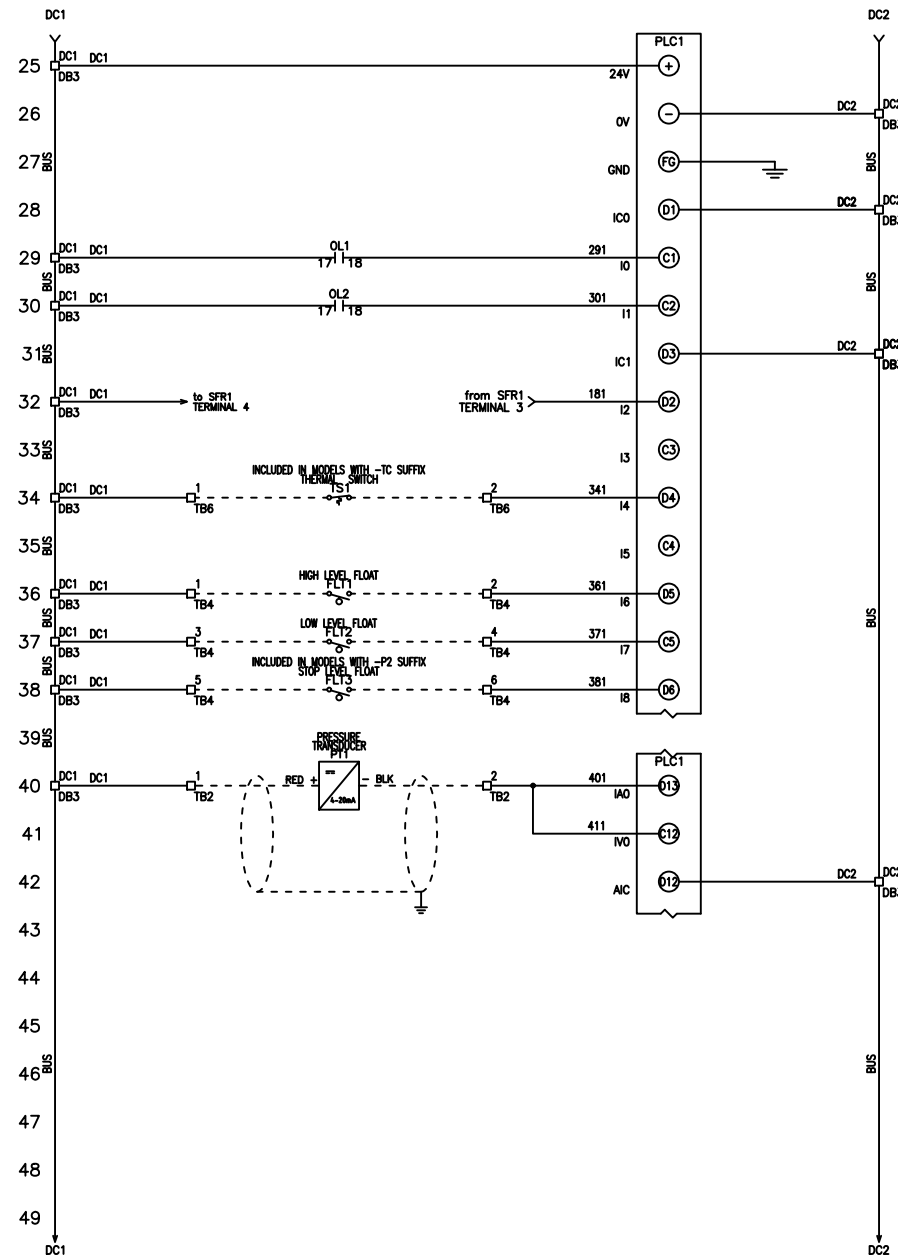
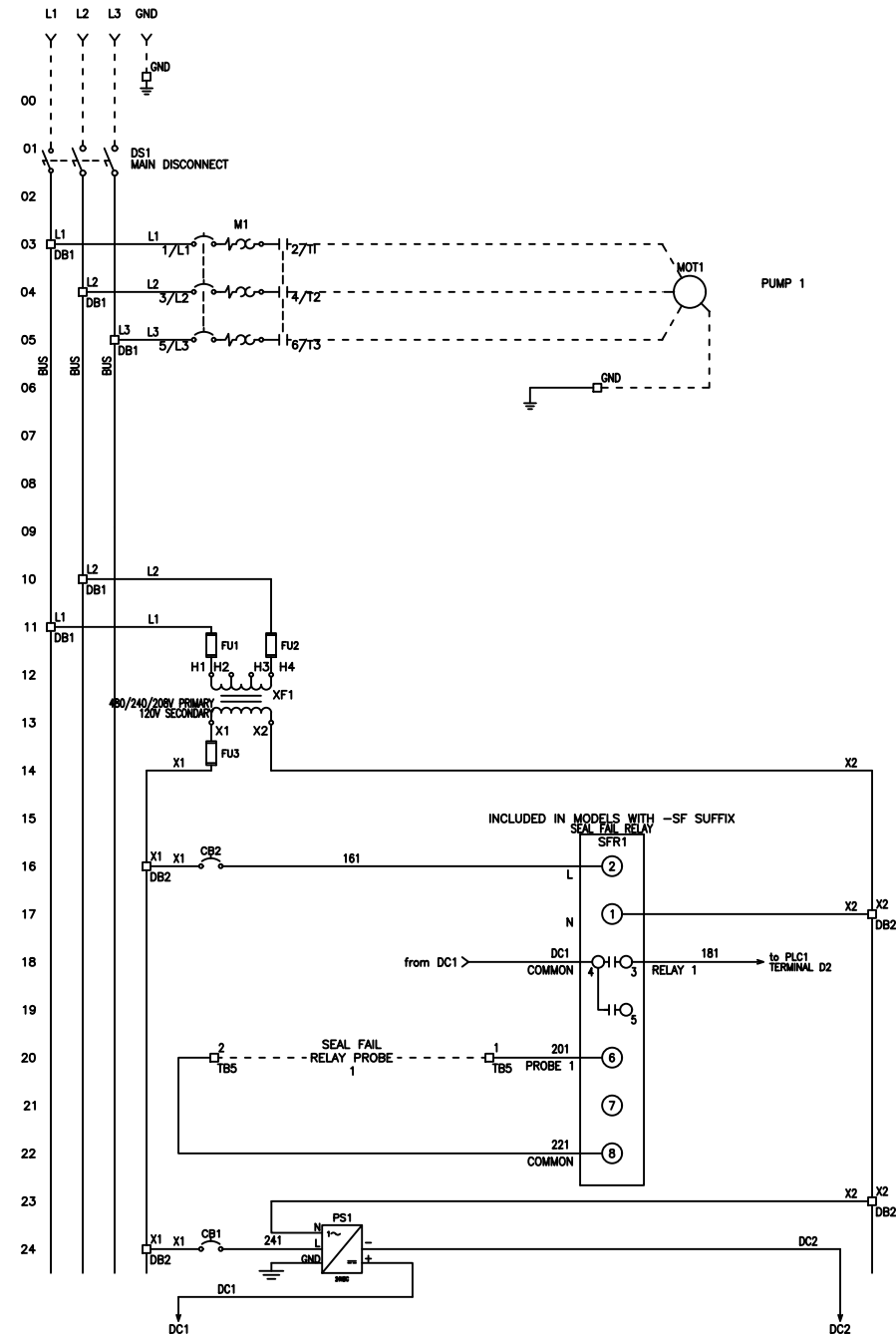


FRAME: HTRS-3X

REVDATE: 0319

REVISIONS				
ZONE	REV	DESCRIPTION	DATE	APPROVED
	A	ADDITION OF STOP LEVEL FLOAT OPTION	8/3/17	
	B	ADDDKION OF FUSED MT	6/26/18	
	C	ADDITION OF WIRE WIRE LABELS & DB'S & REMOVED TB1	3/26/19	



MULTI-TAP TRANSFORMER
CONNECT FACTORY TAGGED WIRES TO L1 & L2 ON TERMINAL BLOCK 3 AND CONNECT TO APPROPRIATE TRANSFORMER PRIMARY VOLTAGE TAP. SEE BELOW FOR CONNECTIONS:

FOR 208V OPERATION, CONNECT L1 & L2 TO TRANSFORMER TAPS H1 & H2.

FOR 240V OPERATION, CONNECT L1 & L2 TO TRANSFORMER TAPS H1 & H3.

FOR 480V OPERATION, CONNECT L1 & L2 TO TRANSFORMER TAPS H1 & H4.

----- DASHED LINE INDICATES FIELD WIRING.

USE COPPER CONDUCTORS ONLY.

TEMPERATURE RATING OF CONDUCTORS IS TO BE 60°C (167°F).

BRANCH CIRCUIT PROTECTION SHALL BE PROVIDED BY THE INSTALLER. MUST BE SIZED ACCORDING TO PUMP/MOTOR MANUFACTURING SPECIFICATIONS.

VERIFY CORRECT OPERATION OF CONTROL PANEL AFTER INSTALLATION IS COMPLETE.

DRAWN BY:	DATE:
MM	11/16/16
APPROVED BY:	DATE:



TITLE:
HTRS-3X
CONTROL SCHEMATIC

THIS DRAWING CONTAINS PROPRIETARY INFORMATION AND SHALL NOT BE USED OR DISCLOSED WITHOUT PRIOR WRITTEN AUTHORIZATION.

SIZE	DWG NO.	PART NO.	REV
B	1607	HTRS-3X	C
SCALE	NONE	SHEET	1 OF 2