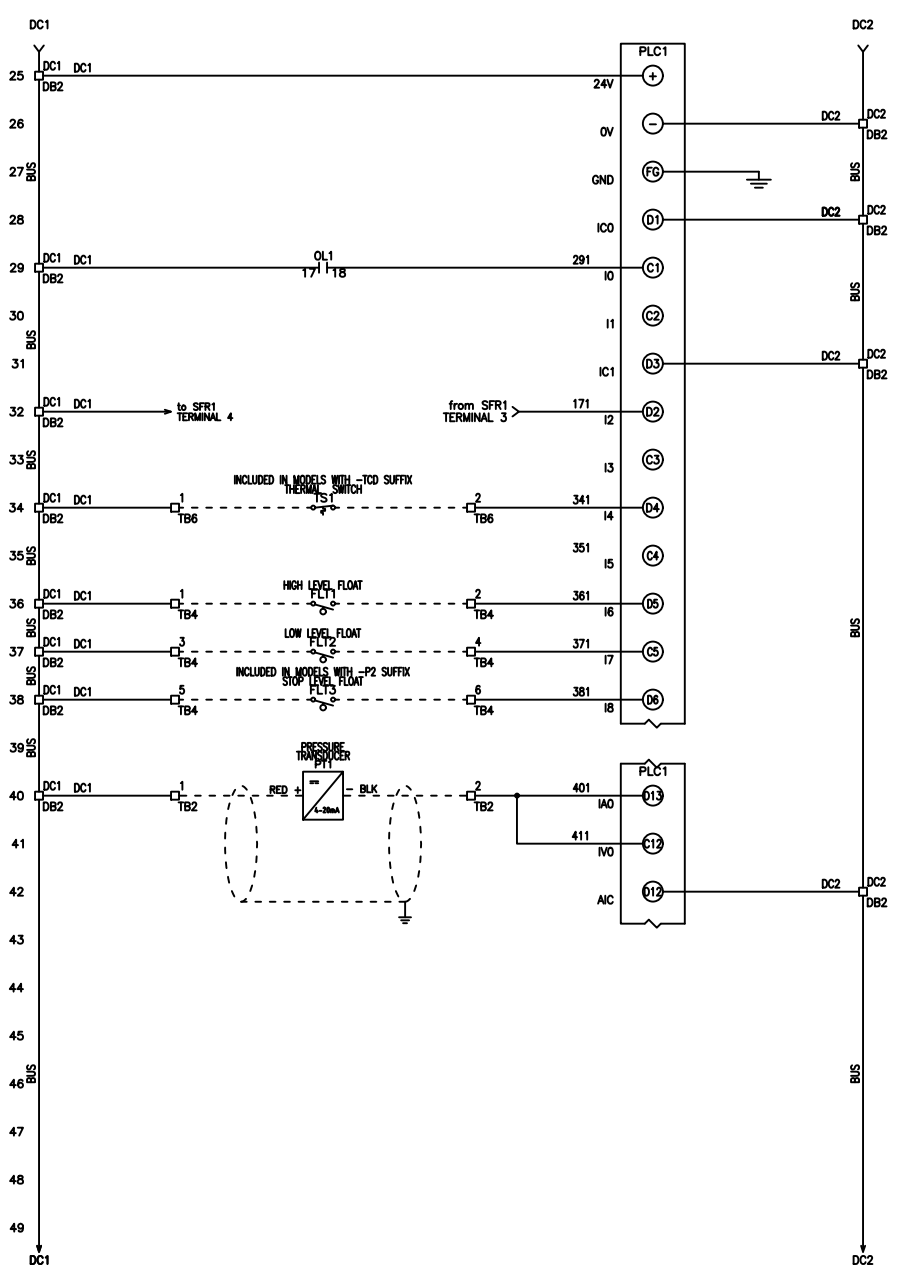
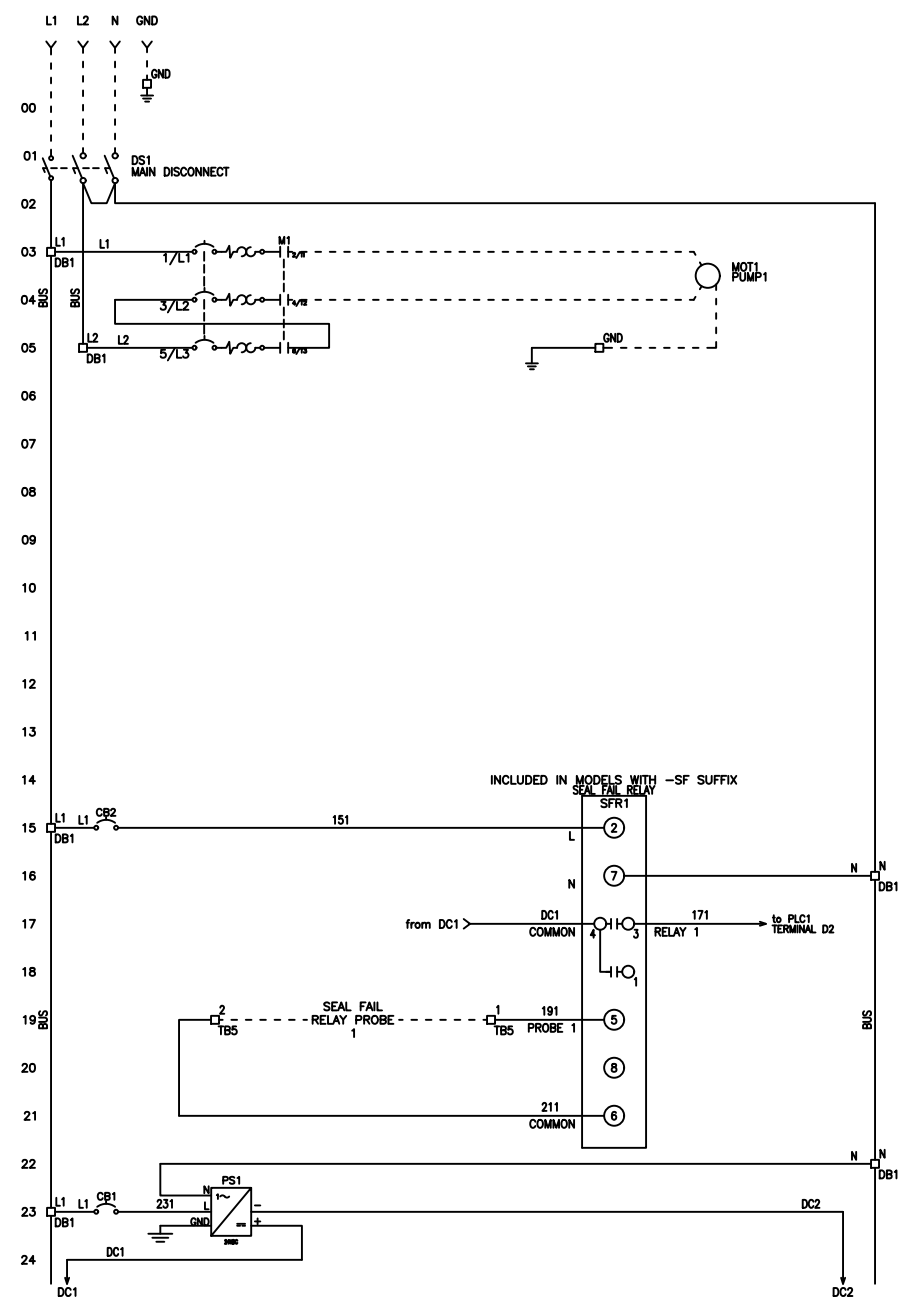


FRAME: HTRS-1X

REVDATE: 0319

REVISIONS				
ZONE	REV	DESCRIPTION	DATE	APPROVED
	A	ADDITION OF STOP LEVEL FLOAT OPTION	8/3/17	
	B	ADDITION OF OPEN CR1 & CR2	6/26/18	
	C	ADDITION OF WIRE LABELS & DB'S & REMOVED TB1	3/25/19	



----- DASHED LINE INDICATES FIELD WIRING.

USE COPPER CONDUCTORS ONLY.
 TEMPERATURE RATING OF CONDUCTORS IS TO BE 60°C (167°F).
 BRANCH CIRCUIT PROTECTION SHALL BE PROVIDED BY THE INSTALLER. MUST BE SIZED ACCORDING TO PUMP/MOTOR MANUFACTURING SPECIFICATIONS.
 VERIFY CORRECT OPERATION OF CONTROL PANEL AFTER INSTALLATION IS COMPLETE.

DRAWN BY: MM
 DATE: 11/16/16
 APPROVED BY: _____
 DATE: _____



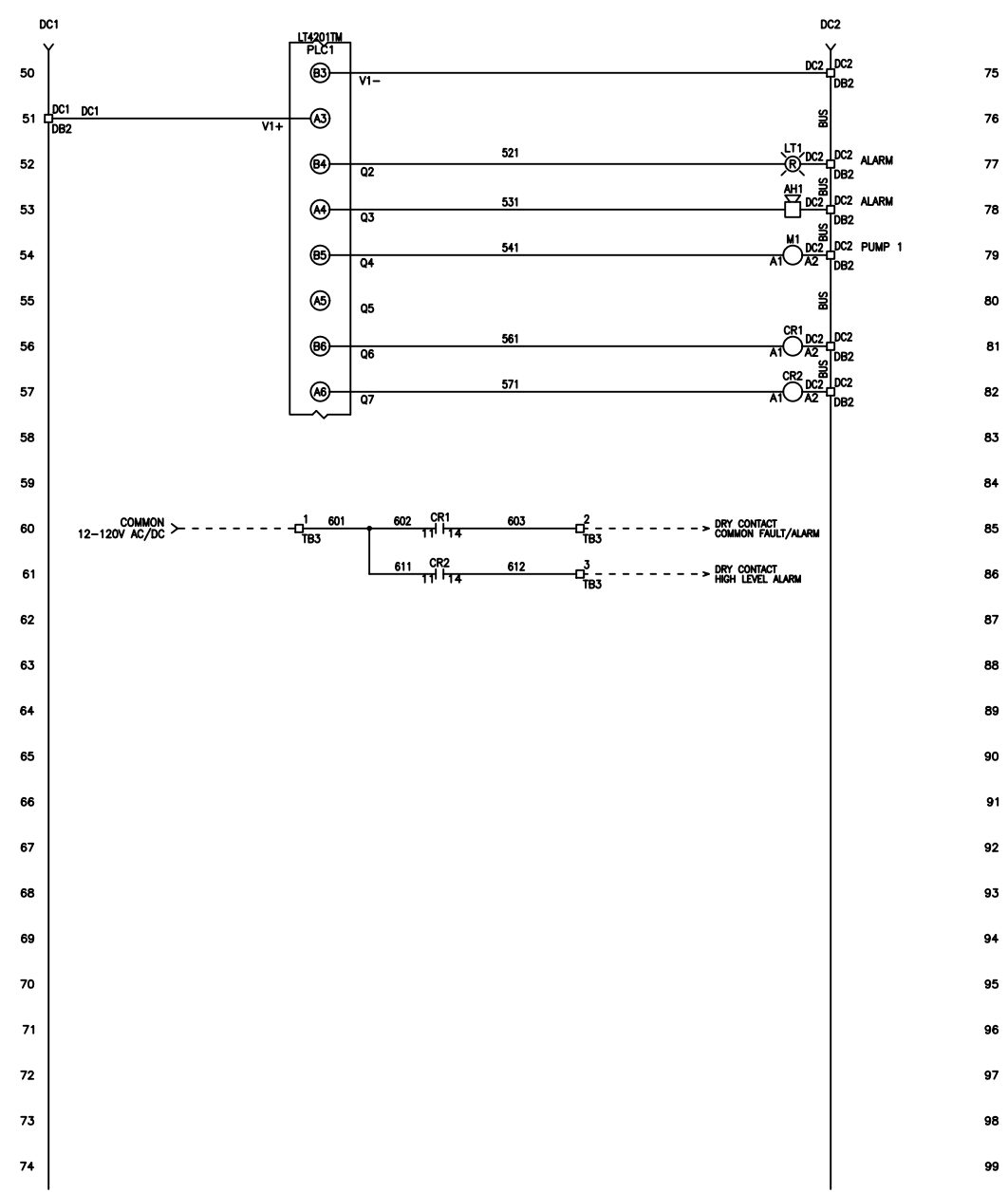
THIS DRAWING CONTAINS PROPRIETARY INFORMATION AND SHALL NOT BE USED OR DISCLOSED WITHOUT PRIOR WRITTEN AUTHORIZATION.

TITLE: HTRS-1X CONTROL SCHEMATIC			
SIZE B	DWG NO. 1605	PART NO.	REV C
SCALE NONE	SHEET 1 OF 2		

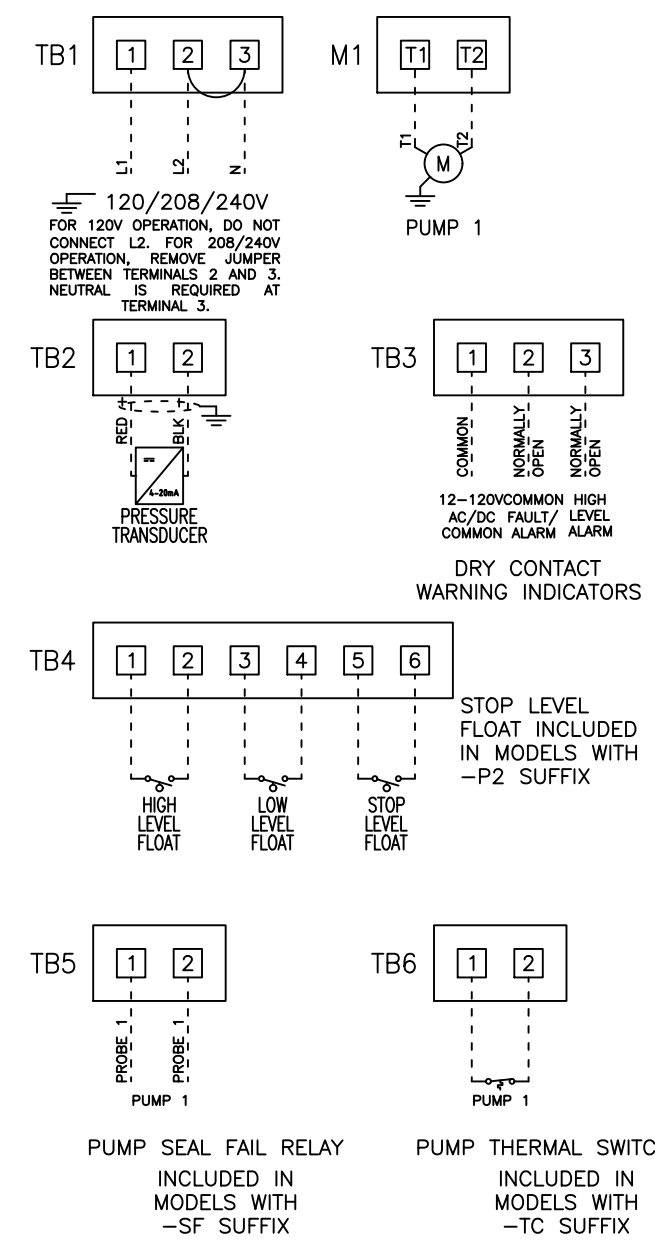
FRAME: HTRS-1X

REVDATE: 0319

REVISIONS				
ZONE	REV	DESCRIPTION	DATE	APPROVED
	A	ADDITION OF STOP LEVEL FLOAT OPTION	8/3/17	
	B	ADDITION OF OPEN CR1 & CR2	6/26/18	
	C	ADDITION OF WIRE LABELS & DB'S & REMOVED TB1	3/25/19	



FIELD WIRING CONNECTIONS



----- DASHED LINE INDICATES FIELD WIRING.

USE COPPER CONDUCTORS ONLY.
 TEMPERATURE RATING OF CONDUCTORS IS TO BE 60°C (167°F).
 BRANCH CIRCUIT PROTECTION SHALL BE PROVIDED BY THE INSTALLER. MUST BE SIZED ACCORDING TO PUMP/MOTOR MANUFACTURING SPECIFICATIONS.
 VERIFY CORRECT OPERATION OF CONTROL PANEL AFTER INSTALLATION IS COMPLETE.

DRAWN BY: MM	DATE: 11/16/16	SEEWATER <i>inc.</i>			
APPROVED BY:	DATE:				
THIS DRAWING CONTAINS PROPRIETARY INFORMATION AND SHALL NOT BE USED OR DISCLOSED WITHOUT PRIOR WRITTEN AUTHORIZATION.		TITLE: HTRS-1X CONTROL SCHEMATIC			
		SIZE B	DWG NO. 1605	PART NO. HTRS-1X	REV C
		SCALE NONE	SHEET 2 OF 2		