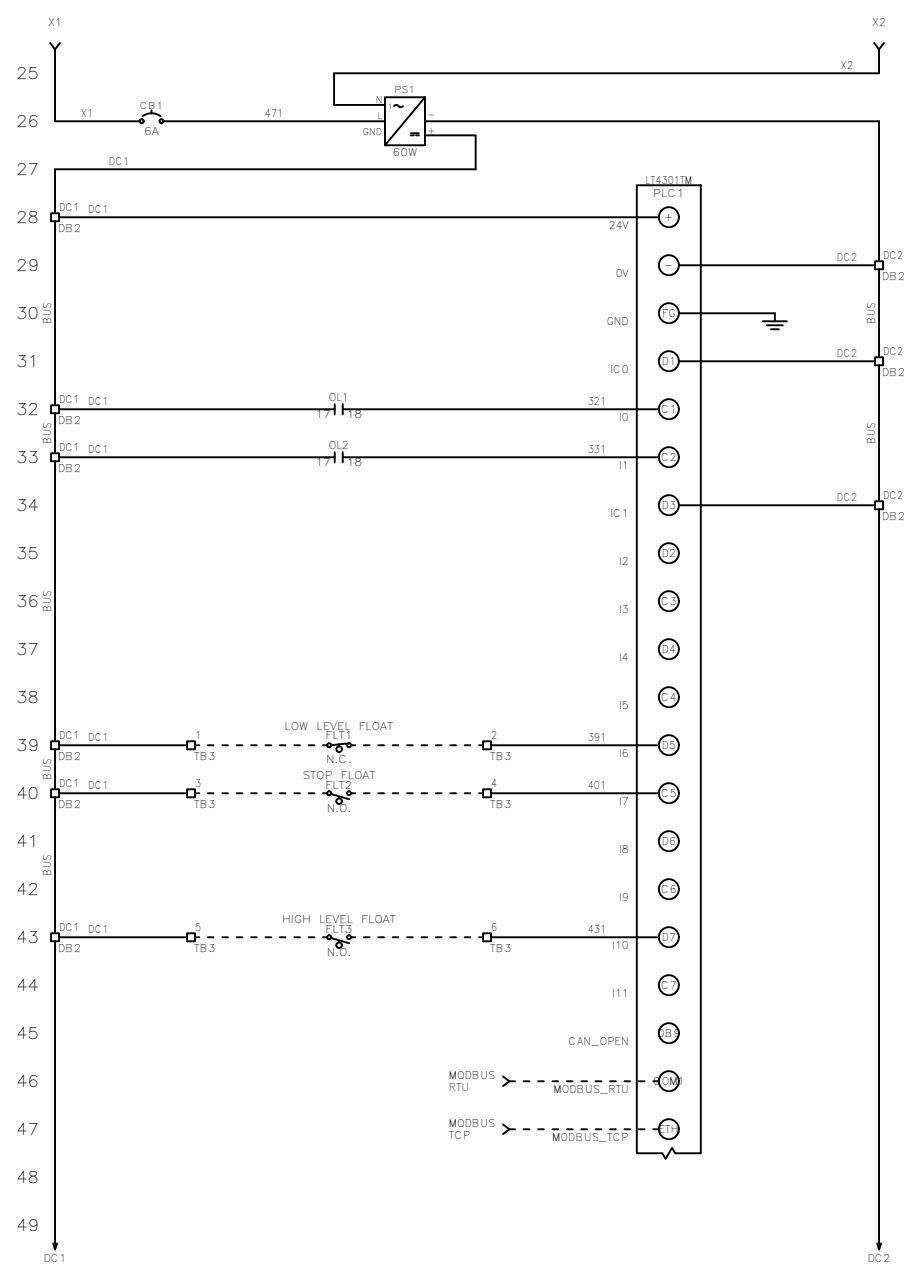
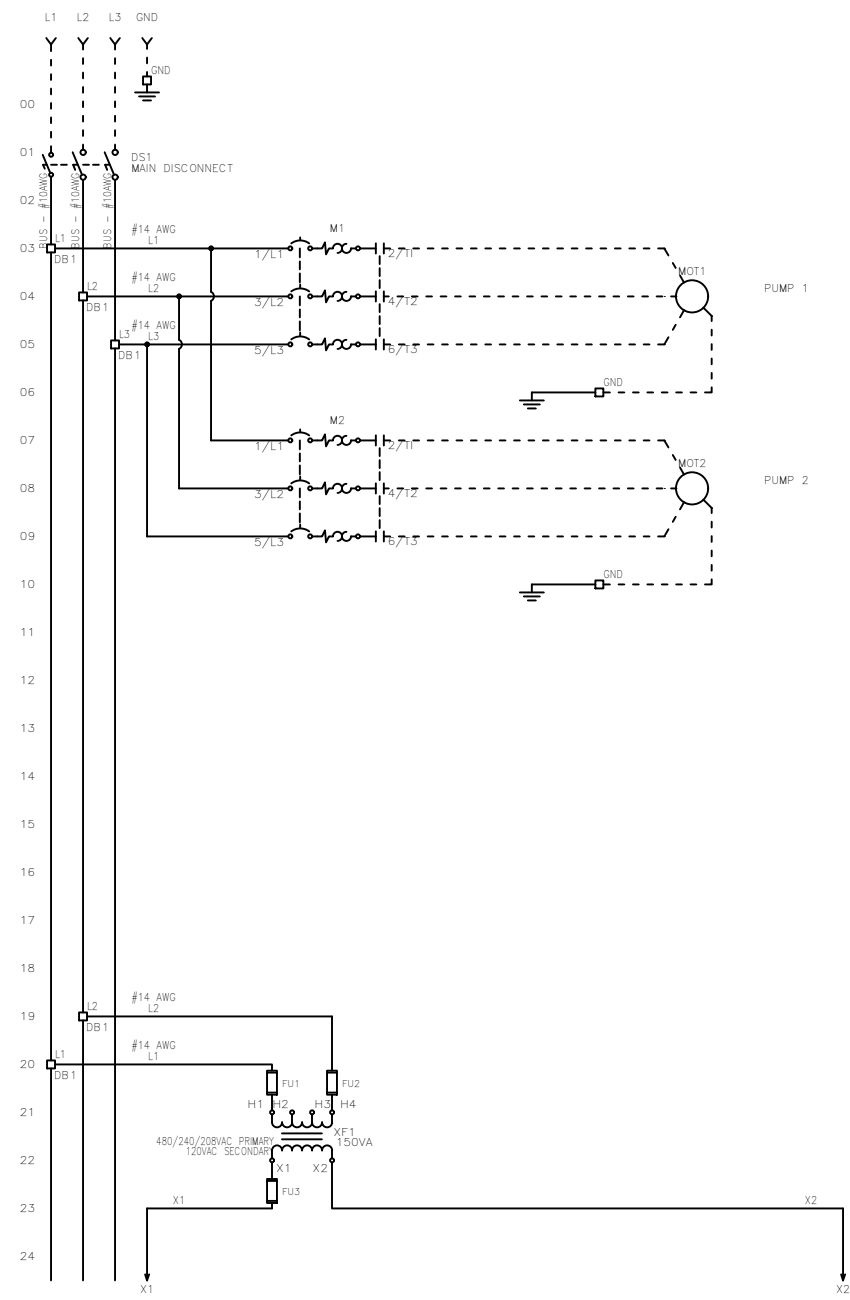


FNAME: HTRD-32-X

REVDATE: 1120

REVISIONS				
ZONE	REV	DESCRIPTION	DATE	APPROVED
	A	UPDATED PLC1 BLOCK	11/2/20	AO



**MULTI-TAP TRANSFORMER:**  
 CONNECT FACTORY TAGGED WIRES TO APPROPRIATE TRANSFORMER VOLTAGE TAP. SEE BELOW FOR CONNECTIONS:  
 FOR 208V OPERATION, CONNECT TO FUSE INPUT HF & TO TRANSFORMER TAP H2.  
 FOR 240V OPERATION, CONNECT TO FUSE INPUT HF & TO TRANSFORMER TAP H3.  
 FOR 480V OPERATION, CONNECT TO FUSE INPUT HF & TO TRANSFORMER TAP H4.

----- DASHED LINE INDICATES FIELD WIRING.  
 USE COPPER CONDUCTORS ONLY.  
 TEMPERATURE RATING OF CONDUCTORS IS TO BE:  
 60°C (140°F) FOR UNDER 100A.  
 75°C (167°F) FOR OVER 100A.  
 BRANCH CIRCUIT PROTECTION SHALL BE PROVIDED BY THE INSTALLER: MUST BE SIZED ACCORDING TO PUMP/MOTOR MANUFACTURING SPECIFICATIONS.  
 VERIFY CORRECT OPERATION OF CONTROL PANEL AFTER INSTALLATION IS COMPLETE.

FIELD WIRING TORQUE SPECS.		UL #:	DRAWN BY:	DATE:
TERMINAL BLOCK UT 2,5	5 IN-LB	E320866	AO	4/8/20
TERMINAL BLOCK UT 4	7 IN-LB		APPROVED BY:	DATE:
TERMINAL BLOCK UT 6	15 IN-LB	TOTAL FLA:	KM	4/8/20
TERMINAL BLOCK UT 10	15 IN-LB	25 A	LARGEST MOT. FLA	
TERMINAL BLOCK UT 16	25 IN-LB		12.0 A	
TERMINAL BLOCK UT 35	30 IN-LB	VOLTAGE:	PHASE:	
TS1, TS2, J2 & J3 PCB	5 IN-LB	208/240/480 VAC	3 PH	
TRANSFORMER H1F, H2F & H3F	15 IN-LB	FREQUENCY:	ENCLOSURE TYPE:	
TRANSFORMER H1, H2 & H3	10 IN-LB	60 Hz	NEMA 3R	
DS1 VLS3P63-125 R1	45 IN-LB	SHORT CIRCUIT CURRENT:		
DS1 LK4JU3CN 100A	36 IN-LB	5KA RMS SYMMETRICAL		
DS1 LK4MU3N 200A	200 IN-LB	600V MAXIMUM		
M1/ M2 T1, T2 & T3	15 IN-LB			

THIS DRAWING CONTAINS PROPRIETARY INFORMATION AND SHALL NOT BE USED OR DISCLOSED WITHOUT PRIOR WRITTEN AUTHORIZATION.

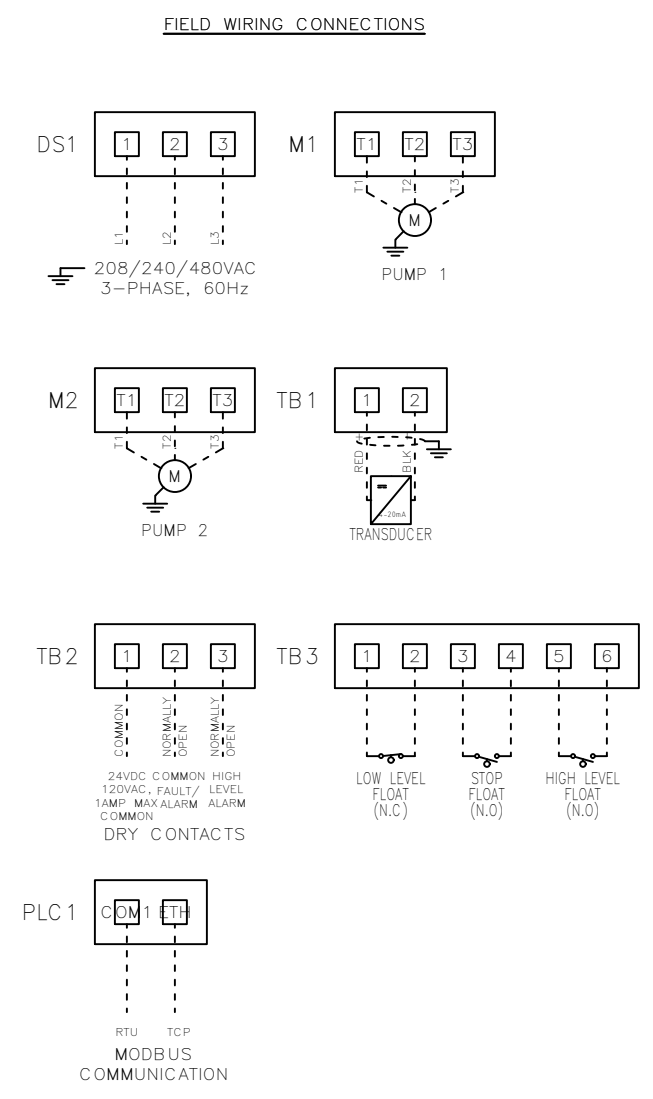
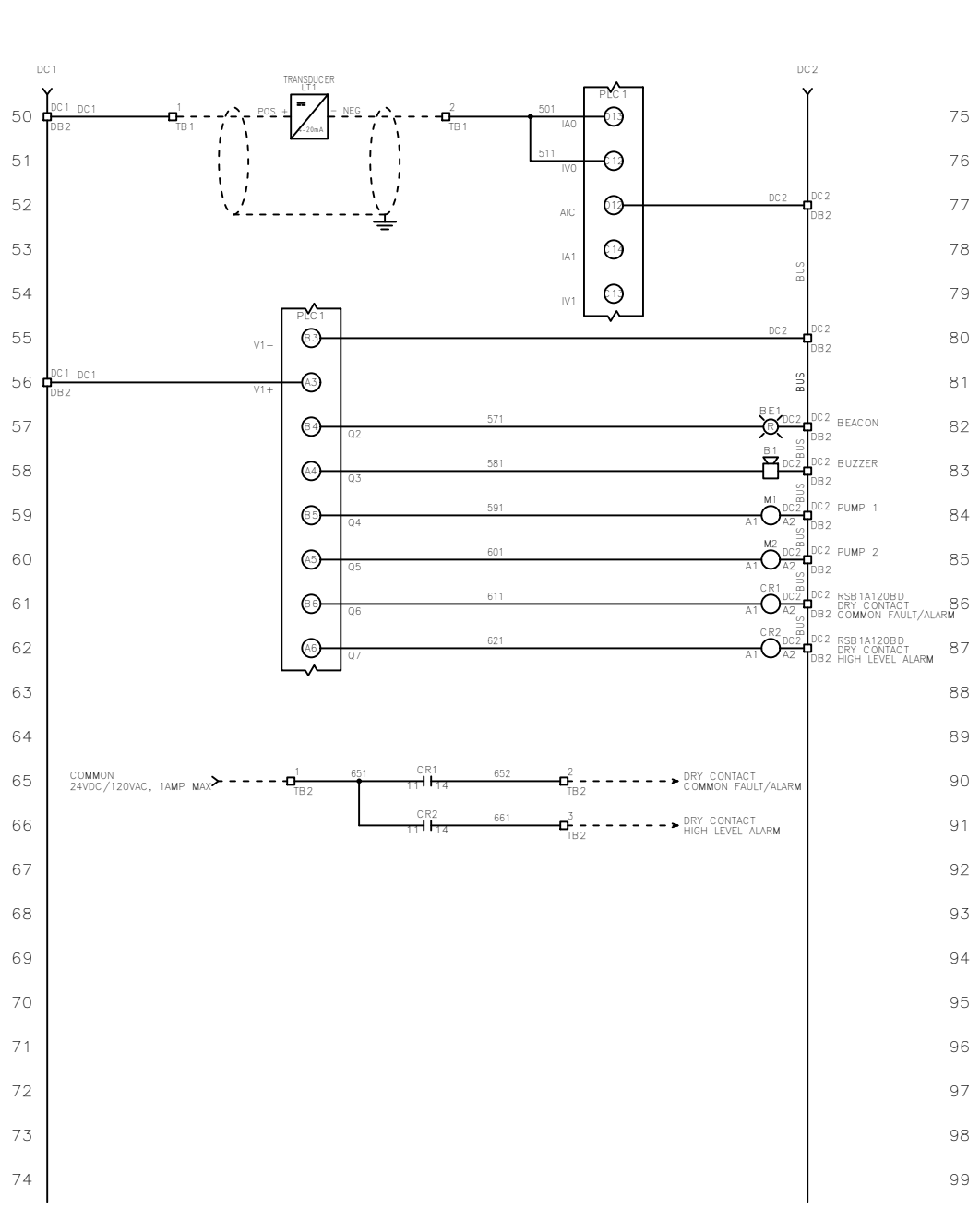


TITLE: HTRD-32-X CONTROL SCHEMATIC				
SIZE	DWG NO.	PART NO.	REV	
B	1574		HTRD-32-X	A
SCALE	NONE		SHEET	1 OF 2

FNAME: HTRD-32-X

REVDATE: 1120

REVISIONS				
ZONE	REV	DESCRIPTION	DATE	APPROVED
	A	UPDATED PLC1 BLOCK	11/2/20	AO




**MULTI-TAP TRANSFORMER:**  
 CONNECT FACTORY TAGGED WIRES TO APPROPRIATE TRANSFORMER VOLTAGE TAP. SEE BELOW FOR CONNECTIONS:  
 FOR 208V OPERATION, CONNECT TO FUSE INPUT HF & TO TRANSFORMER TAP H2.  
 FOR 240V OPERATION, CONNECT TO FUSE INPUT HF & TO TRANSFORMER TAP H3.  
 FOR 480V OPERATION, CONNECT TO FUSE INPUT HF & TO TRANSFORMER TAP H4.

----- DASHED LINE INDICATES FIELD WIRING.  
 USE COPPER CONDUCTORS ONLY.  
 TEMPERATURE RATING OF CONDUCTORS IS TO BE:  
 60°C (140°F) FOR UNDER 100A.  
 75°C (167°F) FOR OVER 100A.  
 BRANCH CIRCUIT PROTECTION SHALL BE PROVIDED BY THE INSTALLER: MUST BE SIZED ACCORDING TO PUMP/MOTOR MANUFACTURING SPECIFICATIONS.  
 VERIFY CORRECT OPERATION OF CONTROL PANEL AFTER INSTALLATION IS COMPLETE.

FIELD WIRING TORQUE SPECS.		UL #:
TERMINAL BLOCK UT 2,5	5 IN-LB	E320866
TERMINAL BLOCK UT 4	7 IN-LB	
TERMINAL BLOCK UT 6	15 IN-LB	TOTAL FLA:
TERMINAL BLOCK UT 10	15 IN-LB	25 A
TERMINAL BLOCK UT 16	25 IN-LB	LARGEST MOT. FLA
TERMINAL BLOCK UT 35	30 IN-LB	12.0 A
TS1, TS2, J2 & J3 PCB	5 IN-LB	VOLTAGE:
TRANSFORMER H1F, H2F & H3F	15 IN-LB	208/240/480 VAC
TRANSFORMER H1, H2 & H3	10 IN-LB	PHASE:
DS1 VLS3P63-125 R1	45 IN-LB	3 PH
DS1 LK4JU3CN 100A	36 IN-LB	FREQUENCY:
DS1 LK4MU3N 200A	200 IN-LB	60 Hz
M1/ M2 T1, T2 & T3	15 IN-LB	ENCLOSURE TYPE:
		NEMA 3R
		SHORT CIRCUIT CURRENT:
		5KA RMS SYMMETRICAL
		600V MAXIMUM

DRAWN BY: AO  
 DATE: 4/8/20  
 APPROVED BY: KM  
 DATE: 4/8/20  
 THIS DRAWING CONTAINS PROPRIETARY INFORMATION AND SHALL NOT BE USED OR DISCLOSED WITHOUT PRIOR WRITTEN AUTHORIZATION.



**HTRD-32-X  
CONTROL SCHEMATIC**

SIZE	DWG NO.	PART NO.	REV
B	1574	HTRD-32-X	A
SCALE	NONE	SHEET	2 OF 2