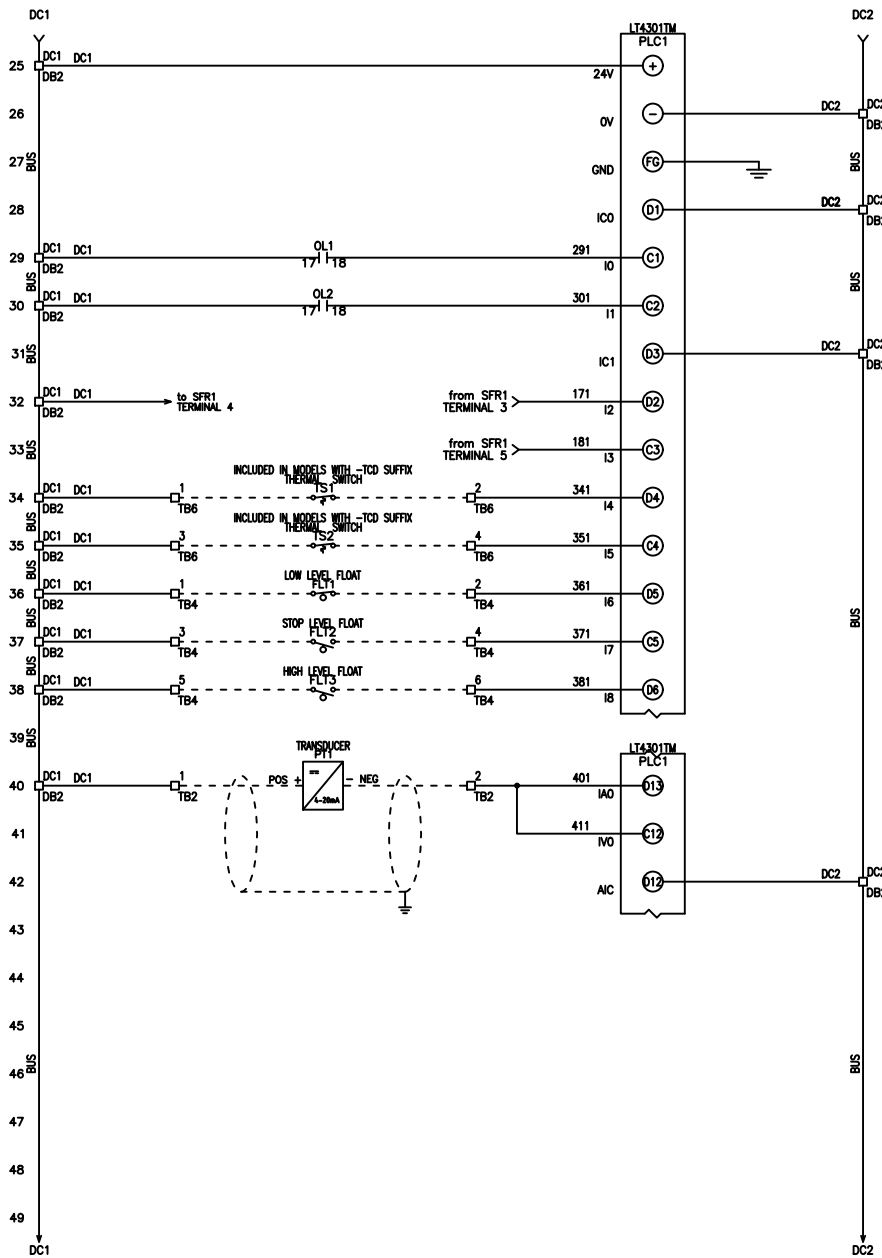
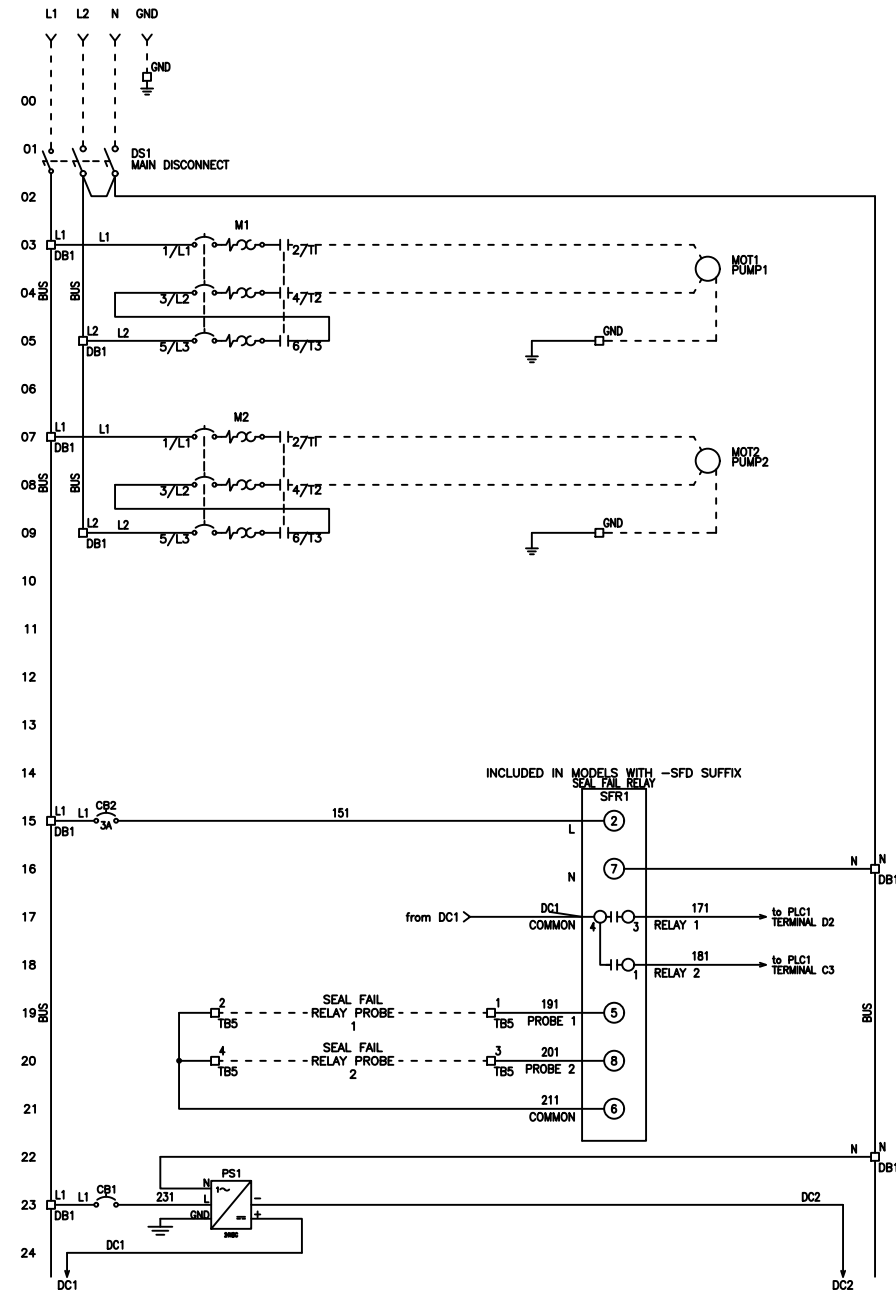


REVDATE: 0319 FNAME: HTRD-1X

| REVISIONS | | | | |
|-----------|-----|-------------------------------------|---------|----------|
| ZONE | REV | DESCRIPTION | DATE | APPROVED |
| | A | ADDITION OF STOP LEVEL FLOAT OPTION | 8/3/17 | |
| | B | REVISED SEAL FAIL CIRCUIT | 6/26/18 | |
| | C | REMOVED TB1 | 3/5/19 | |
| | D | ADDITION OF WIRE LABELS AND DB'S | 3/22/19 | |



----- DASHED LINE INDICATES FIELD WIRING.
 USE COPPER CONDUCTORS ONLY.
 TEMPERATURE RATING OF CONDUCTORS IS TO BE:
 60°C (140°F) FOR UNDER 100A.
 75°C (167°F) FOR OVER 100A.
 BRANCH CIRCUIT PROTECTION SHALL BE PROVIDED BY THE INSTALLER: MUST BE SIZED ACCORDING TO PUMP/MOTOR MANUFACTURING SPECIFICATIONS.
 VERIFY CORRECT OPERATION OF CONTROL PANEL AFTER INSTALLATION IS COMPLETE.

| FIELD WIRING TORQUE SPECS. | |
|----------------------------|-----------|
| TERMINAL BLOCK UT 2,5 | 5 IN-LB |
| TERMINAL BLOCK UT 4 | 7 IN-LB |
| TERMINAL BLOCK UT 6 | 15 IN-LB |
| TERMINAL BLOCK UT 10 | 15 IN-LB |
| TERMINAL BLOCK UT 16 | 25 IN-LB |
| TERMINAL BLOCK UT 35 | 30 IN-LB |
| TS1, TS2, J2 & J3 PCB | 5 IN-LB |
| TRANSFORMER H1F, H2F & H3F | 15 IN-LB |
| TRANSFORMER H1, H2 & H3 | 10 IN-LB |
| M.D. VLS3P16-63 R1 | 16 IN-LB |
| M.D. VLS3P63-125 R1 | 45 IN-LB |
| M.D. LK4JU3CN 100A | 36 IN-LB |
| M.D. LK4MU3N 200A | 200 IN-LB |
| M1/ M2 T1, T2 & T3 | 15 IN-LB |

DRAWN BY: MM
 DATE: 11/16/16
 APPROVED BY:
 DATE:
 THIS DRAWING CONTAINS PROPRIETARY INFORMATION AND SHALL NOT BE USED OR DISCLOSED WITHOUT PRIOR WRITTEN AUTHORIZATION.

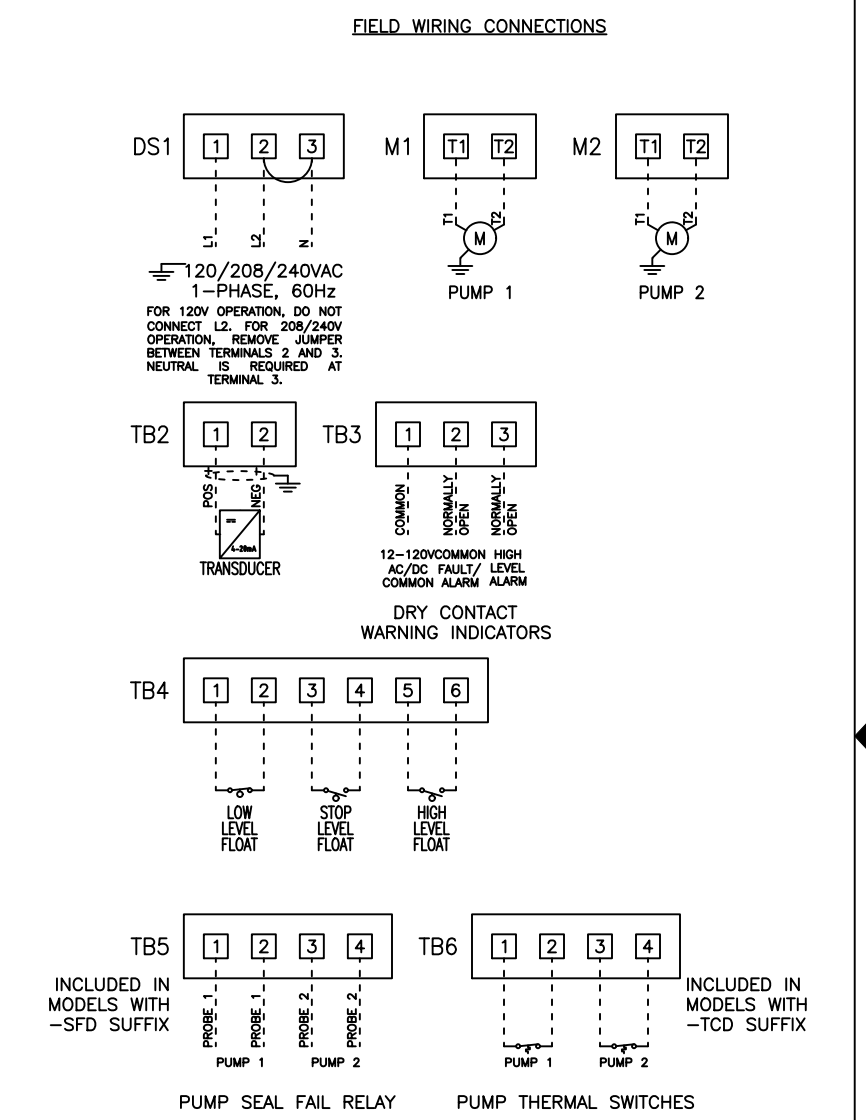
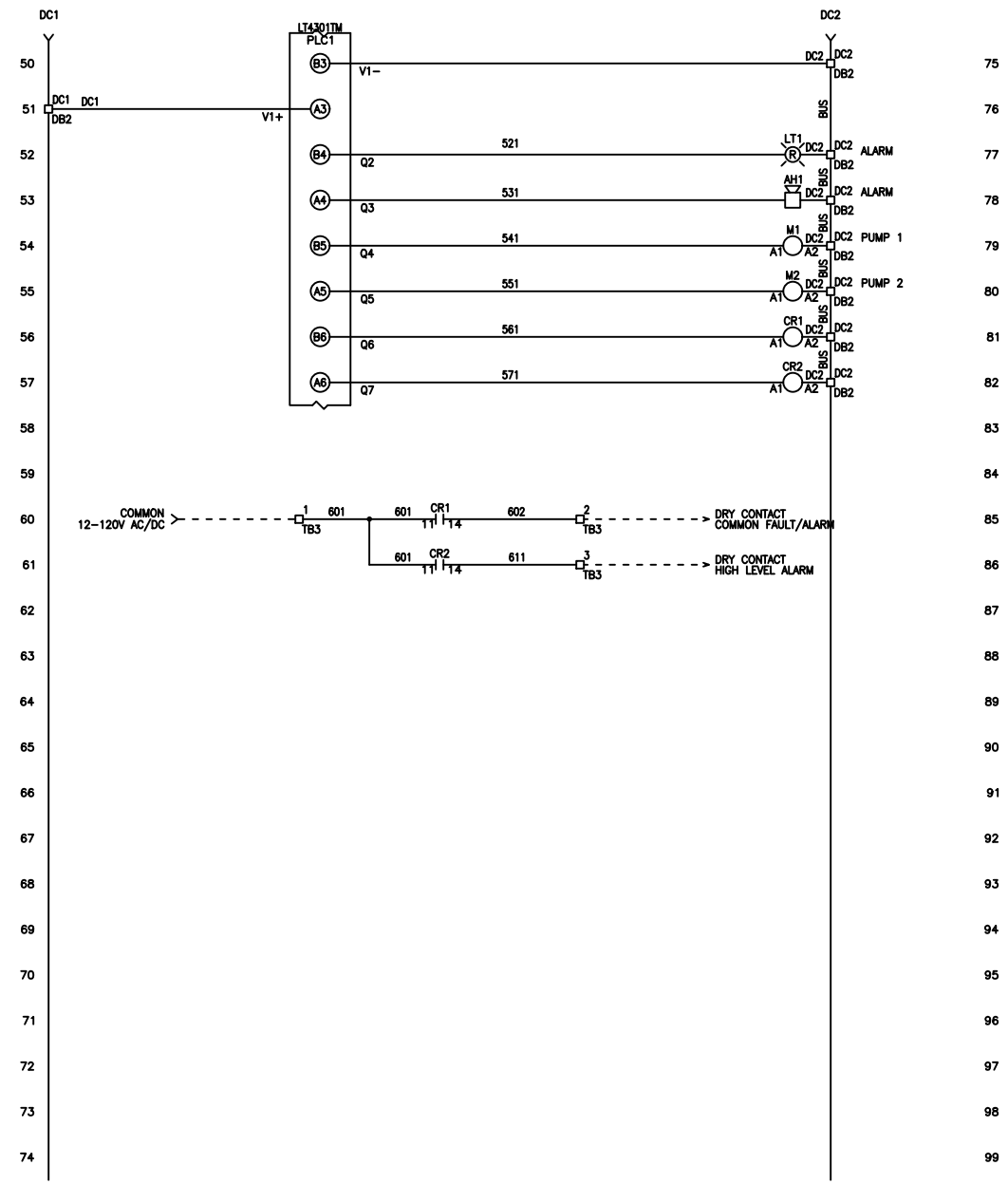


| | | | |
|----------------------------------|---------------|-----------|--------|
| TITLE: HTRD-1X CONTROL SCHEMATIC | | | |
| SIZE: B | DWG NO.: 1606 | PART NO.: | REV: D |
| SCALE: NONE | SHEET: 1 OF 2 | | |

FRAME: HTRD-1X

REVDATE: 0319

| REVISIONS | | | | |
|-----------|-----|-------------------------------------|---------|----------|
| ZONE | REV | DESCRIPTION | DATE | APPROVED |
| | A | ADDITION OF STOP LEVEL FLOAT OPTION | 8/3/17 | |
| | B | REVISED SEAL FAIL CIRCUIT | 6/26/18 | |
| | C | REMOVED TB1 | 3/5/19 | |
| | D | ADDITION OF WIRE LABELS AND DB'S | 3/22/19 | |



----- DASHED LINE INDICATES FIELD WIRING.

USE COPPER CONDUCTORS ONLY.

TEMPERATURE RATING OF CONDUCTORS IS TO BE:
 60°C (140°F) FOR UNDER 100A.
 75°C (167°F) FOR OVER 100A.

BRANCH CIRCUIT PROTECTION SHALL BE PROVIDED BY THE INSTALLER: MUST BE SIZED ACCORDING TO PUMP/MOTOR MANUFACTURING SPECIFICATIONS.

VERIFY CORRECT OPERATION OF CONTROL PANEL AFTER INSTALLATION IS COMPLETE.

| FIELD WIRING TORQUE SPECS. | |
|----------------------------|-----------|
| TERMINAL BLOCK UT 2,5 | 5 IN-LB |
| TERMINAL BLOCK UT 4 | 7 IN-LB |
| TERMINAL BLOCK UT 6 | 15 IN-LB |
| TERMINAL BLOCK UT 10 | 15 IN-LB |
| TERMINAL BLOCK UT 16 | 25 IN-LB |
| TERMINAL BLOCK UT 35 | 30 IN-LB |
| TS1, TS2, J2 & J3 PCB | 5 IN-LB |
| TRANSFORMER H1F, H2F & H3F | 15 IN-LB |
| TRANSFORMER H1, H2 & H3 | 10 IN-LB |
| M.D. VLS3P16-63 R1 | 16 IN-LB |
| M.D. VLS3P63-125 R1 | 45 IN-LB |
| M.D. LK4JU3CN 100A | 36 IN-LB |
| M.D. LK4MU3N 200A | 200 IN-LB |
| M1/ M2 T1, T2 & T3 | 15 IN-LB |

DRAWN BY: MM DATE: 11/16/16

APPROVED BY: DATE:

THIS DRAWING CONTAINS PROPRIETARY INFORMATION AND SHALL NOT BE USED OR DISCLOSED WITHOUT PRIOR WRITTEN AUTHORIZATION.



| | | | |
|----------------------------------|---------------|-----------|--------|
| TITLE: HTRD-1X CONTROL SCHEMATIC | | | |
| SIZE: B | DWG NO.: 1606 | PART NO.: | REV: D |
| SCALE: NONE | SHEET: 2 OF 2 | | |