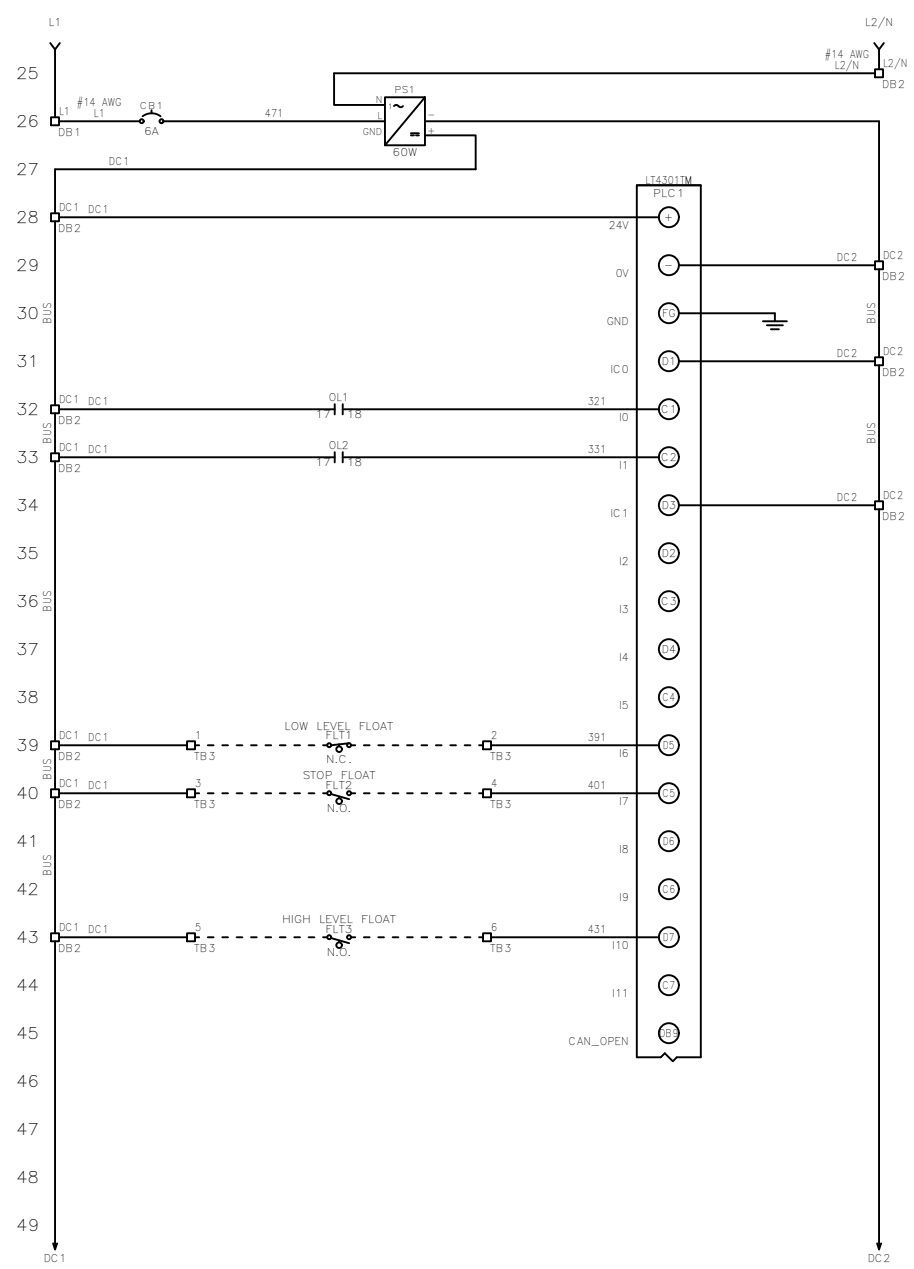
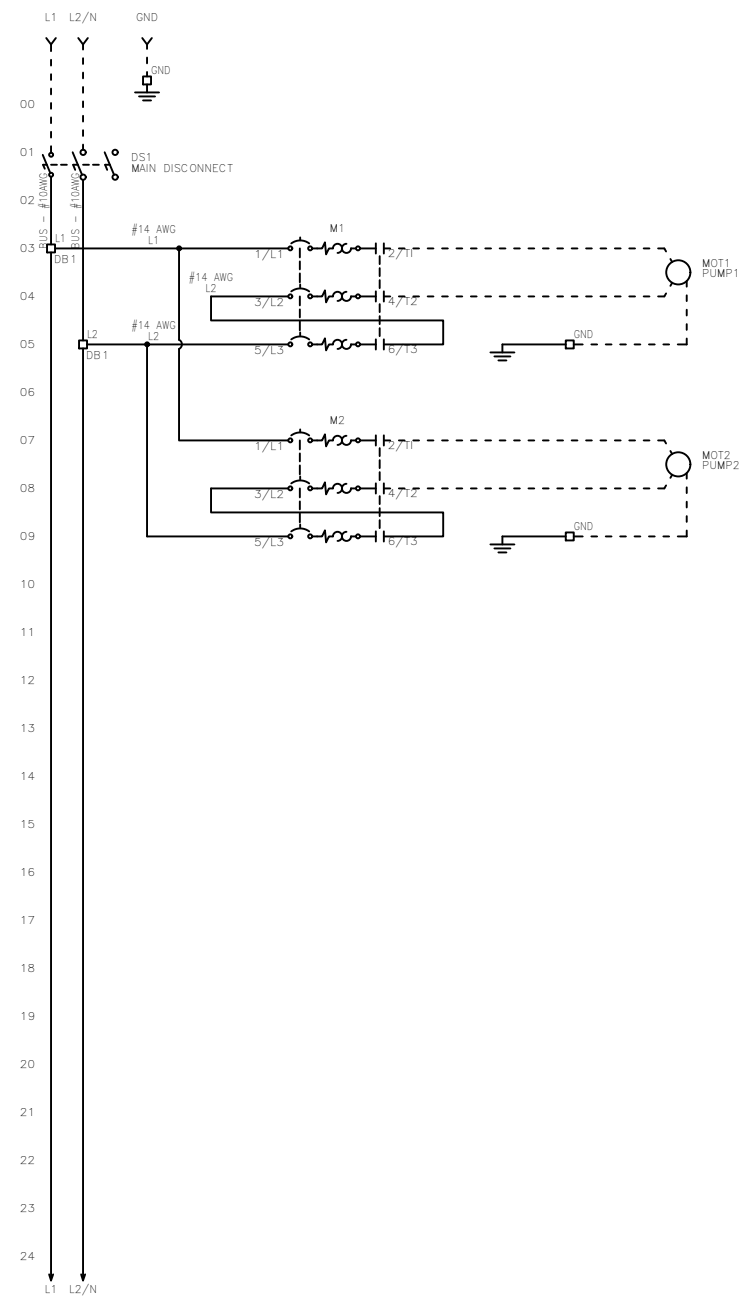


FNAME: HTRD-12-X

REVDATE: 0420

REVISIONS				
ZONE	REV	DESCRIPTION	DATE	APPROVED



----- DASHED LINE INDICATES FIELD WIRING.

USE COPPER CONDUCTORS ONLY.

TEMPERATURE RATING OF CONDUCTORS IS TO BE:
 60°C (140°F) FOR UNDER 100A.
 75°C (167°F) FOR OVER 100A.

BRANCH CIRCUIT PROTECTION SHALL BE PROVIDED BY THE INSTALLER: MUST BE SIZED ACCORDING TO PUMP/MOTOR MANUFACTURING SPECIFICATIONS.

VERIFY CORRECT OPERATION OF CONTROL PANEL AFTER INSTALLATION IS COMPLETE.

FIELD WIRING TORQUE SPECS.		UL #:	DRAWN BY:		DATE:
TERMINAL BLOCK UT 2,5	5 IN-LB	E320866	AO		4/13/20
TERMINAL BLOCK UT 4	7 IN-LB		APPROVED BY:		DATE:
TERMINAL BLOCK UT 6	15 IN-LB	TOTAL FLA:	LARGEST MOT. FLA	KM 4/13/20	
TERMINAL BLOCK UT 10	15 IN-LB	26 A	12.0 A		
TERMINAL BLOCK UT 16	25 IN-LB	VOLTAGE:	PHASE:		
TERMINAL BLOCK UT 35	30 IN-LB	120/208/240 VAC	1 PH		
TS1, TS2, J2 & J3 PCB	5 IN-LB	FREQUENCY:	ENCLOSURE TYPE:		
TRANSFORMER H1F, H2F & H3F	15 IN-LB	60 Hz	NEMA 3R		
TRANSFORMER H1, H2 & H3	10 IN-LB	SHORT CIRCUIT CURRENT:			
DS1 VLS3P63-125 R1	45 IN-LB	5KA RMS SYMMETRICAL			
DS1 LK4JU3CN 100A	36 IN-LB	600V MAXIMUM			
DS1 LK4MU3N 200A	200 IN-LB				
M1/ M2 T1, T2 & T3	15 IN-LB				

THIS DRAWING CONTAINS PROPRIETARY INFORMATION AND SHALL NOT BE USED OR DISCLOSED WITHOUT PRIOR WRITTEN AUTHORIZATION.

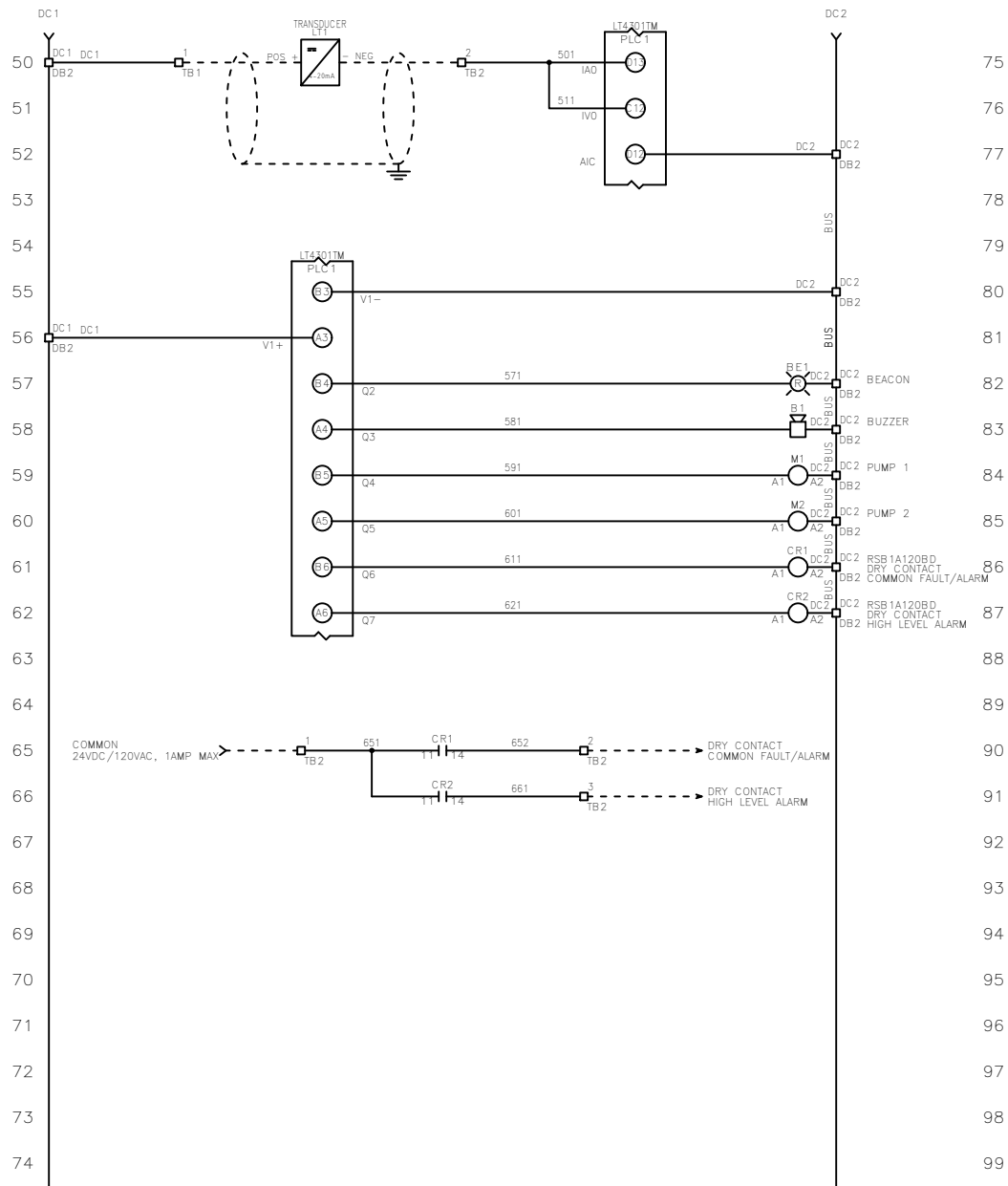


TITLE: HTRD-12-X CONTROL SCHEMATIC				
SIZE	DWG NO.	PART NO.	REV	
B	1571	HTRD-12-X		
SCALE	NONE	SHEET	1 OF 2	

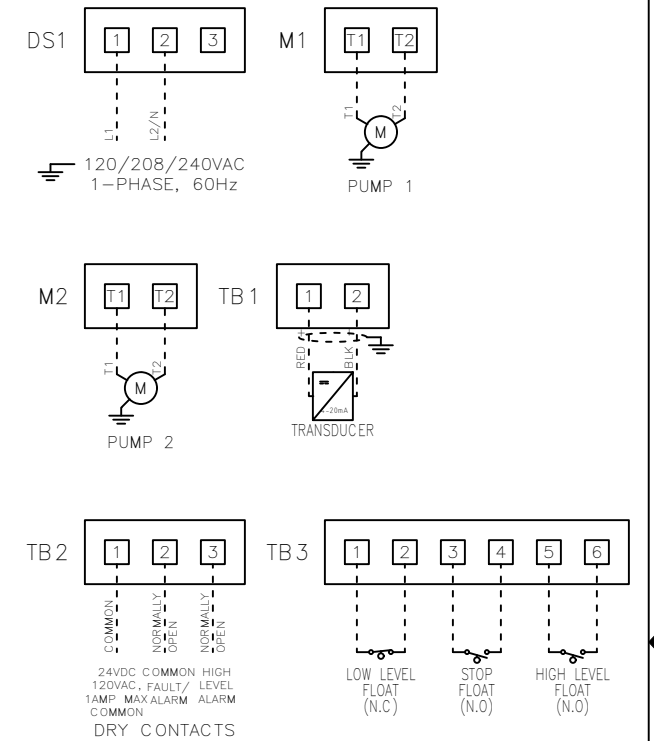
FNAME: HTRD-12-X

REVDATE: 0420

REVISIONS				
ZONE	REV	DESCRIPTION	DATE	APPROVED



FIELD WIRING CONNECTIONS



----- DASHED LINE INDICATES FIELD WIRING.

USE COPPER CONDUCTORS ONLY.

TEMPERATURE RATING OF CONDUCTORS IS TO BE:
60°C (140°F) FOR UNDER 100A.
75°C (167°F) FOR OVER 100A.

BRANCH CIRCUIT PROTECTION SHALL BE PROVIDED BY THE INSTALLER: MUST BE SIZED ACCORDING TO PUMP/MOTOR MANUFACTURING SPECIFICATIONS.

VERIFY CORRECT OPERATION OF CONTROL PANEL AFTER INSTALLATION IS COMPLETE.

FIELD WIRING TORQUE SPECS.	
TERMINAL BLOCK UT 2,5	5 IN-LB
TERMINAL BLOCK UT 4	7 IN-LB
TERMINAL BLOCK UT 6	15 IN-LB
TERMINAL BLOCK UT 10	15 IN-LB
TERMINAL BLOCK UT 16	25 IN-LB
TERMINAL BLOCK UT 35	30 IN-LB
TS1, TS2, J2 & J3 PCB	5 IN-LB
TRANSFORMER H1F, H2F & H3F	15 IN-LB
TRANSFORMER H1, H2 & H3	10 IN-LB
DS1 VLS3P63-125 R1	45 IN-LB
DS1 LK4JU3CN 100A	36 IN-LB
DS1 LK4MU3N 200A	200 IN-LB
M1/ M2 T1, T2 & T3	15 IN-LB

UL #:	E320866
TOTAL FLA:	26 A
LARGEST MOT. FLA	12.0 A
VOLTAGE:	120/208/240 VAC
PHASE:	1 PH
FREQUENCY:	60 Hz
ENCLOSURE TYPE:	NEMA 3R
SHORT CIRCUIT CURRENT:	5KA RMS SYMMETRICAL 600V MAXIMUM

DRAWN BY:	AO	DATE:	4/13/20
APPROVED BY:	KM	DATE:	4/13/20
THIS DRAWING CONTAINS PROPRIETARY INFORMATION AND SHALL NOT BE USED OR DISCLOSED WITHOUT PRIOR WRITTEN AUTHORIZATION.			



TITLE:			
HTRD-12-X CONTROL SCHEMATIC			
SIZE	DWG NO.	PART NO.	REV
B	1571	HTRD-12-X	
SCALE	NONE	SHEET	2 OF 2