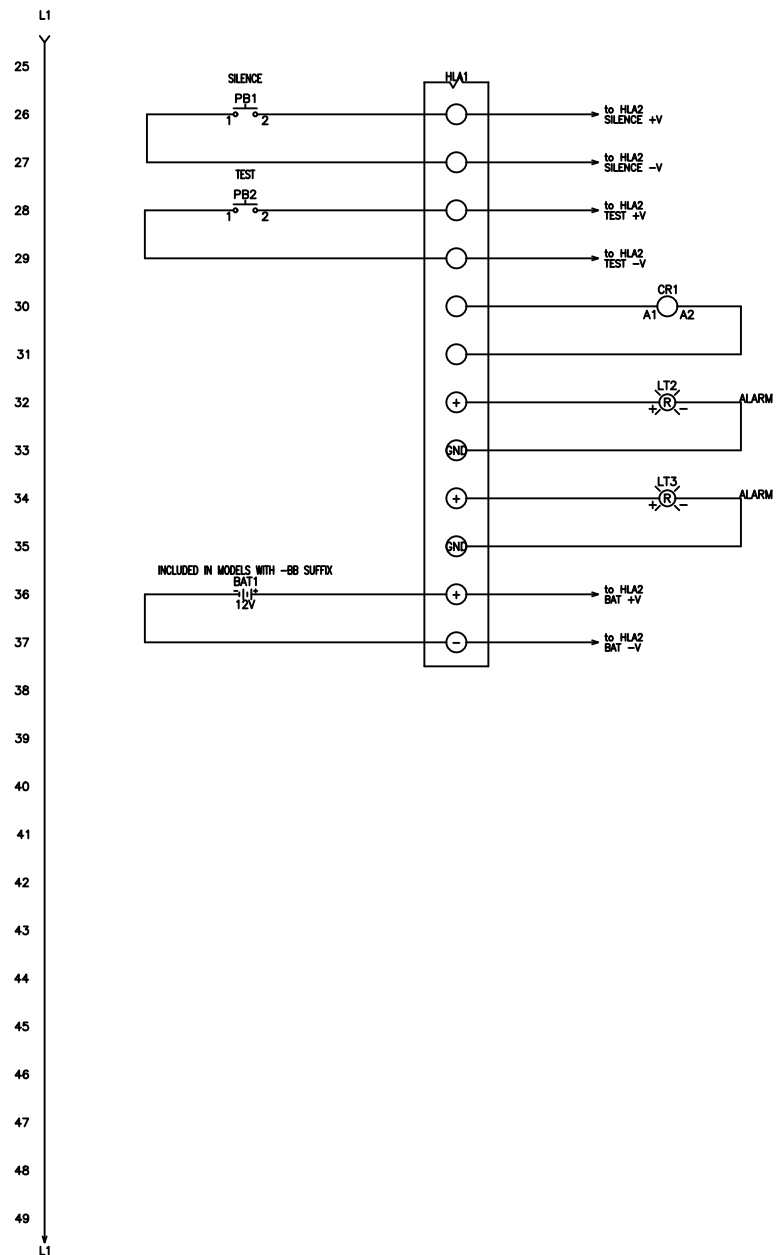
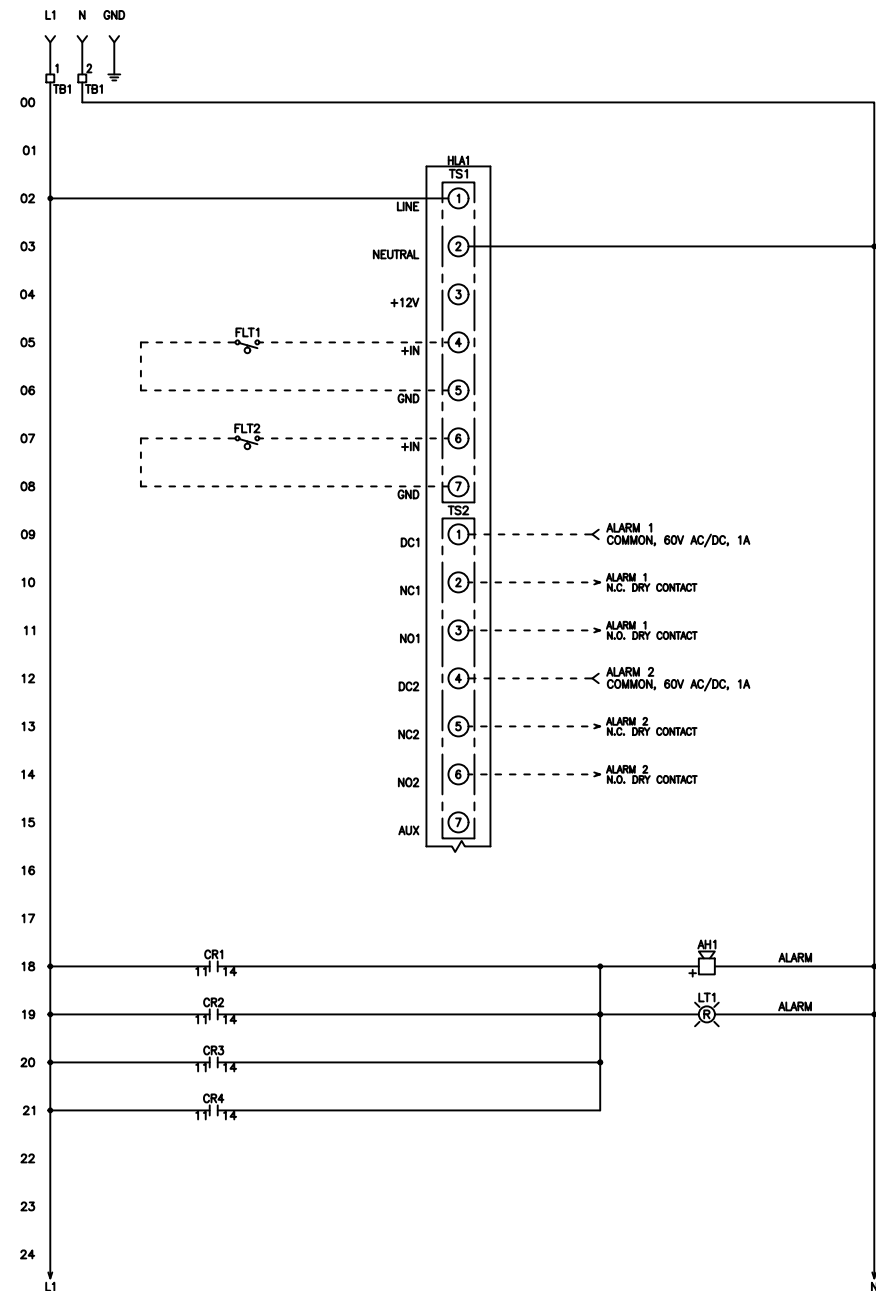


FNAME: HLA-4X-7

REVDATE: 0318

REVISIONS				
ZONE	REV	DESCRIPTION	DATE	APPROVED
	A	VARIOUS UPDATES	8/28/17	
	B	UPDATED CONTENT	3/12/18	



NOTES:  
 -S4 SUFFIX INDICATES ALL FLOATS ARE NORMALLY CLOSED FLOATS.  
 -32 SUFFIX INDICATES CUSTOM LABELING THAT MAY DIFFER FROM THE STANDARD LABELING AND/OR NORMALLY OPEN AND NORMALLY CLOSED MAY DIFFER FROM DRAWING ABOVE.

----- DASHED LINE INDICATES FIELD WIRING.

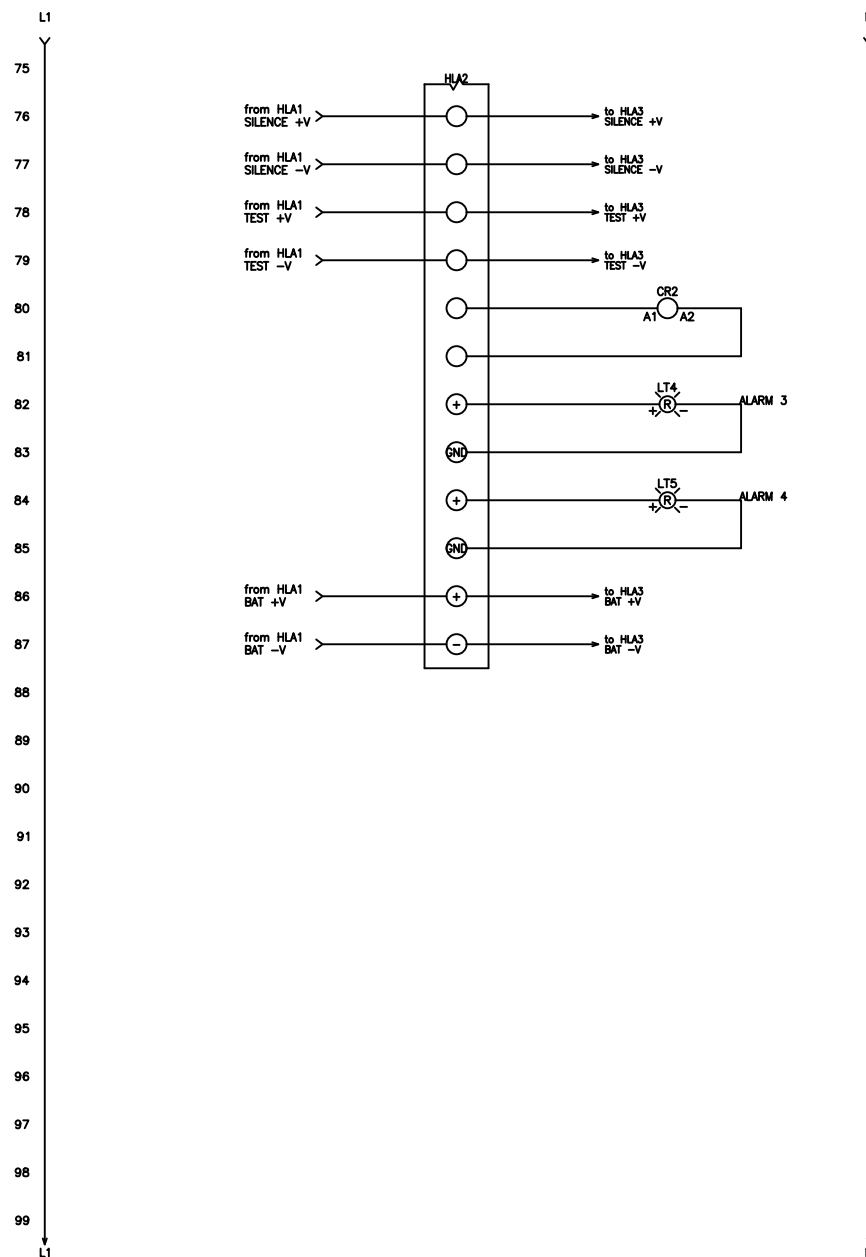
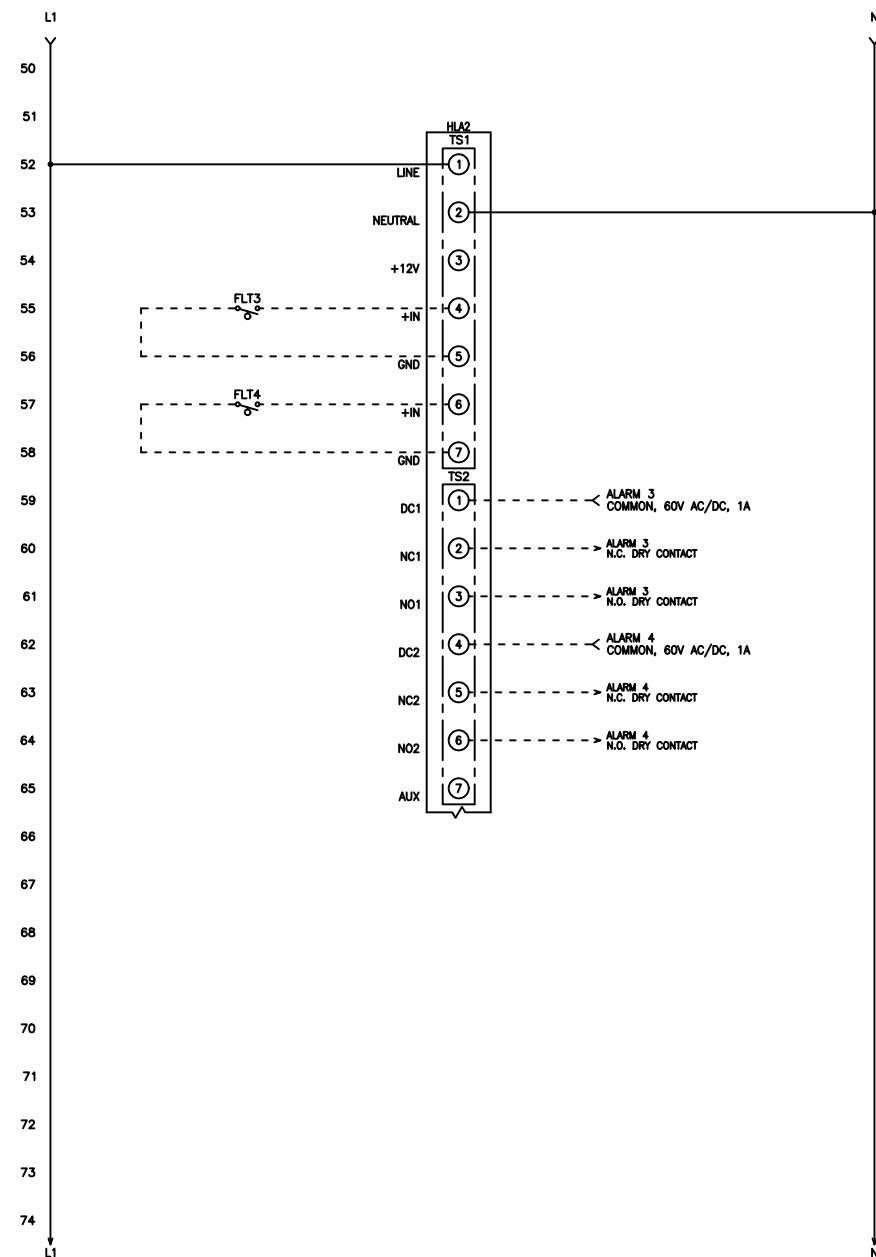
USE COPPER CONDUCTORS ONLY.  
 TEMPERATURE RATING OF CONDUCTORS IS TO BE 60°C (167°F).  
 BRANCH CIRCUIT PROTECTION SHALL BE PROVIDED BY THE INSTALLER; MUST BE SIZED ACCORDING TO PUMP/MOTOR MANUFACTURING SPECIFICATIONS.  
 VERIFY CORRECT OPERATION OF CONTROL PANEL AFTER INSTALLATION IS COMPLETE.

DRAWN BY: MM	DATE: 7/23/16	<b>SEEWATER</b> <i>inc.</i>			
APPROVED BY:	DATE:				
THIS DRAWING CONTAINS PROPRIETARY INFORMATION AND SHALL NOT BE USED OR DISCLOSED WITHOUT PRIOR WRITTEN AUTHORIZATION.		TITLE: HLA-4X-7 CONTROL SCHEMATIC			
		SIZE B	DWG NO. 1593	PART NO. HLA-4X-7	REV B
		SCALE NONE	SHEET 1 OF 5		

FRAME: HLA-4X-7

REVDATE: 0318

REVISIONS				
ZONE	REV	DESCRIPTION	DATE	APPROVED
	A	VARIOUS UPDATES	8/28/17	
	B	UPDATED CONTENT	3/12/18	



NOTES:  
 -S4 SUFFIX INDICATES ALL FLOATS ARE NORMALLY CLOSED FLOATS.  
 -32 SUFFIX INDICATES CUSTOM LABELING THAT MAY DIFFER FROM THE STANDARD LABELING AND/OR NORMALLY OPEN AND NORMALLY CLOSED MAY DIFFER FROM DRAWING ABOVE.

----- DASHED LINE INDICATES FIELD WIRING.

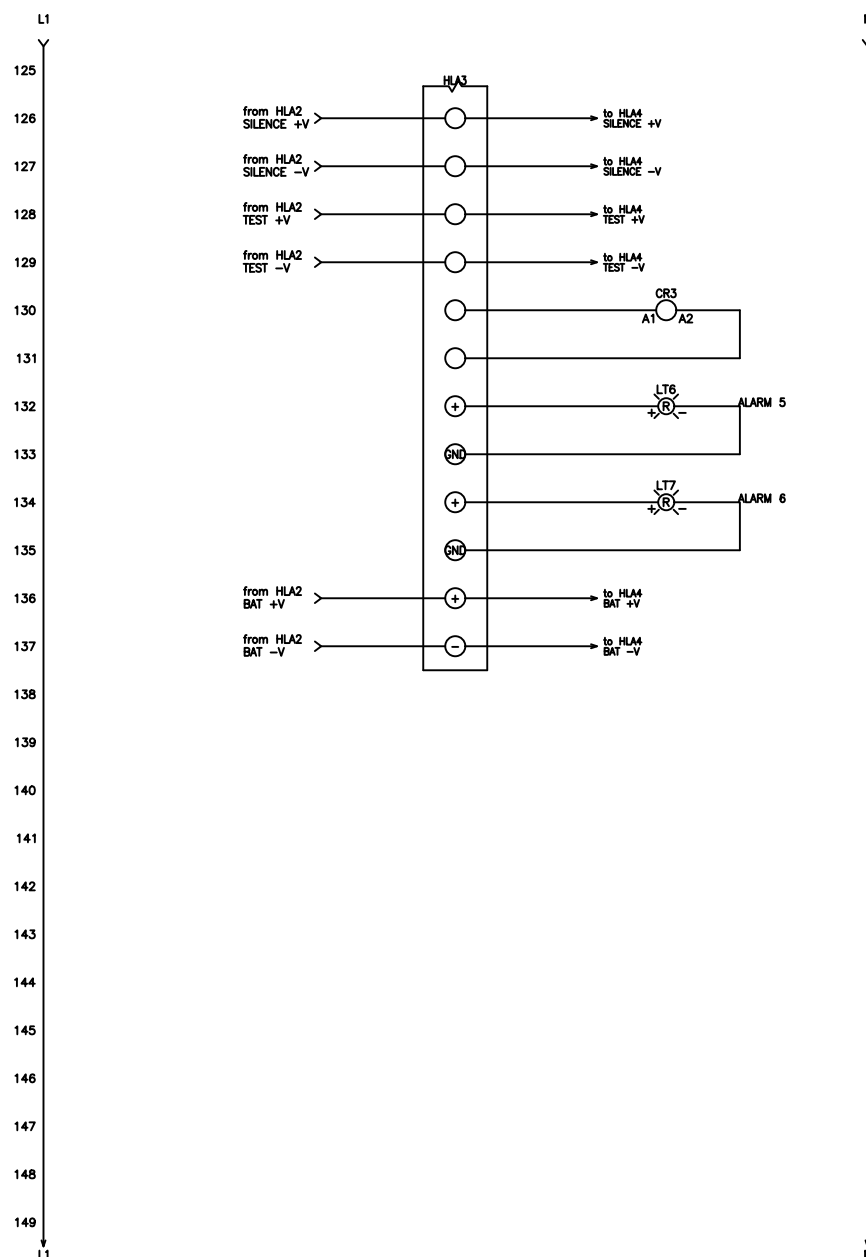
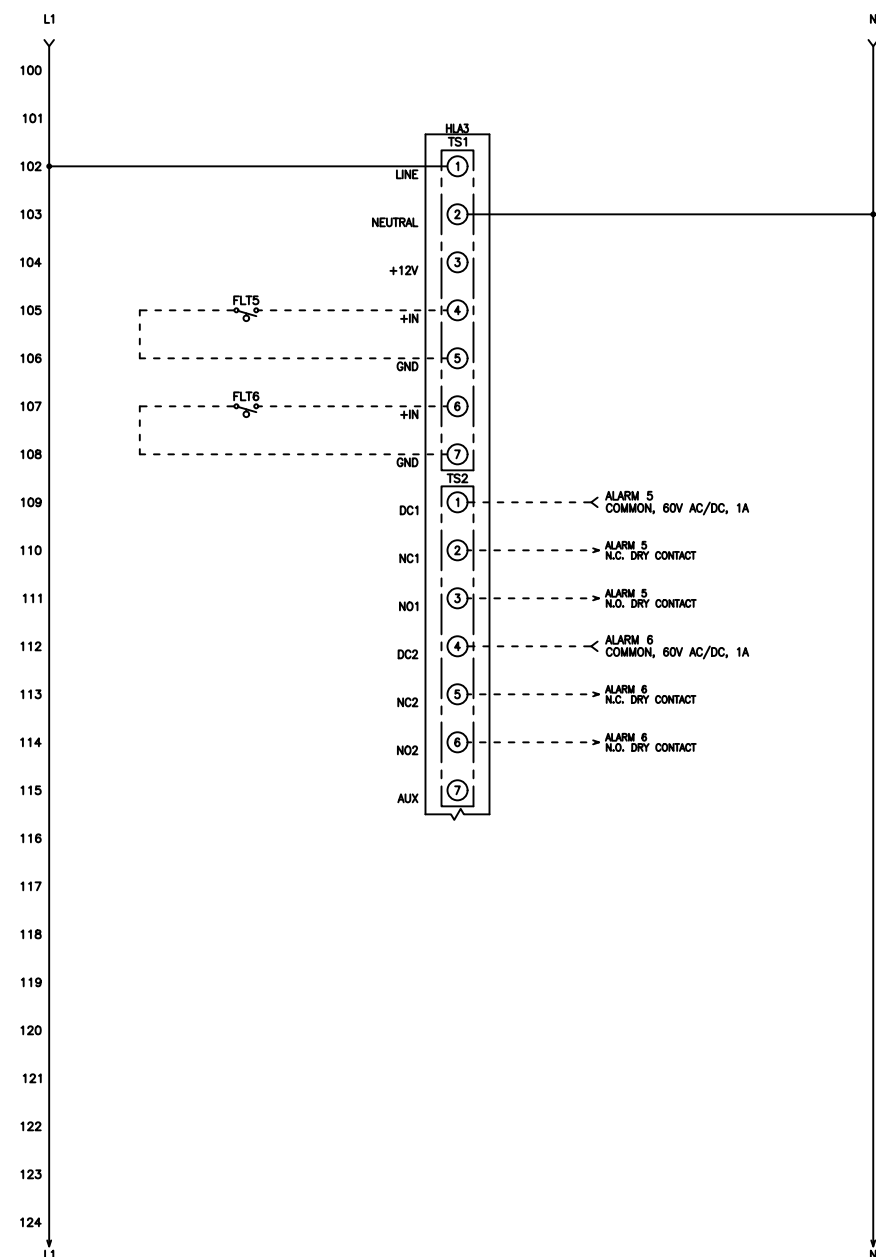
USE COPPER CONDUCTORS ONLY.  
 TEMPERATURE RATING OF CONDUCTORS IS TO BE 60°C (167°F).  
 BRANCH CIRCUIT PROTECTION SHALL BE PROVIDED BY THE INSTALLER; MUST BE SIZED ACCORDING TO PUMP/MOTOR MANUFACTURING SPECIFICATIONS.  
 VERIFY CORRECT OPERATION OF CONTROL PANEL AFTER INSTALLATION IS COMPLETE.

DRAWN BY: MM	DATE: 7/23/16				
APPROVED BY:	DATE:				
THIS DRAWING CONTAINS PROPRIETARY INFORMATION AND SHALL NOT BE USED OR DISCLOSED WITHOUT PRIOR WRITTEN AUTHORIZATION.		TITLE: HLA-4X-7 CONTROL SCHEMATIC			
		SIZE B	DWG NO. 1593	PART NO. HLA-4X-7	REV B
		SCALE NONE	SHEET 2 OF 5		

FRAME: HLA-4X-7

REVDATE: 0318

REVISIONS				
ZONE	REV	DESCRIPTION	DATE	APPROVED
	A	VARIOUS UPDATES	8/28/17	
	B	UPDATED CONTENT	3/12/18	



NOTES:  
 -S4 SUFFIX INDICATES ALL FLOATS ARE NORMALLY CLOSED FLOATS.  
 -32 SUFFIX INDICATES CUSTOM LABELING THAT MAY DIFFER FROM THE STANDARD LABELING AND/OR NORMALLY OPEN AND NORMALLY CLOSED MAY DIFFER FROM DRAWING ABOVE.

----- DASHED LINE INDICATES FIELD WIRING.

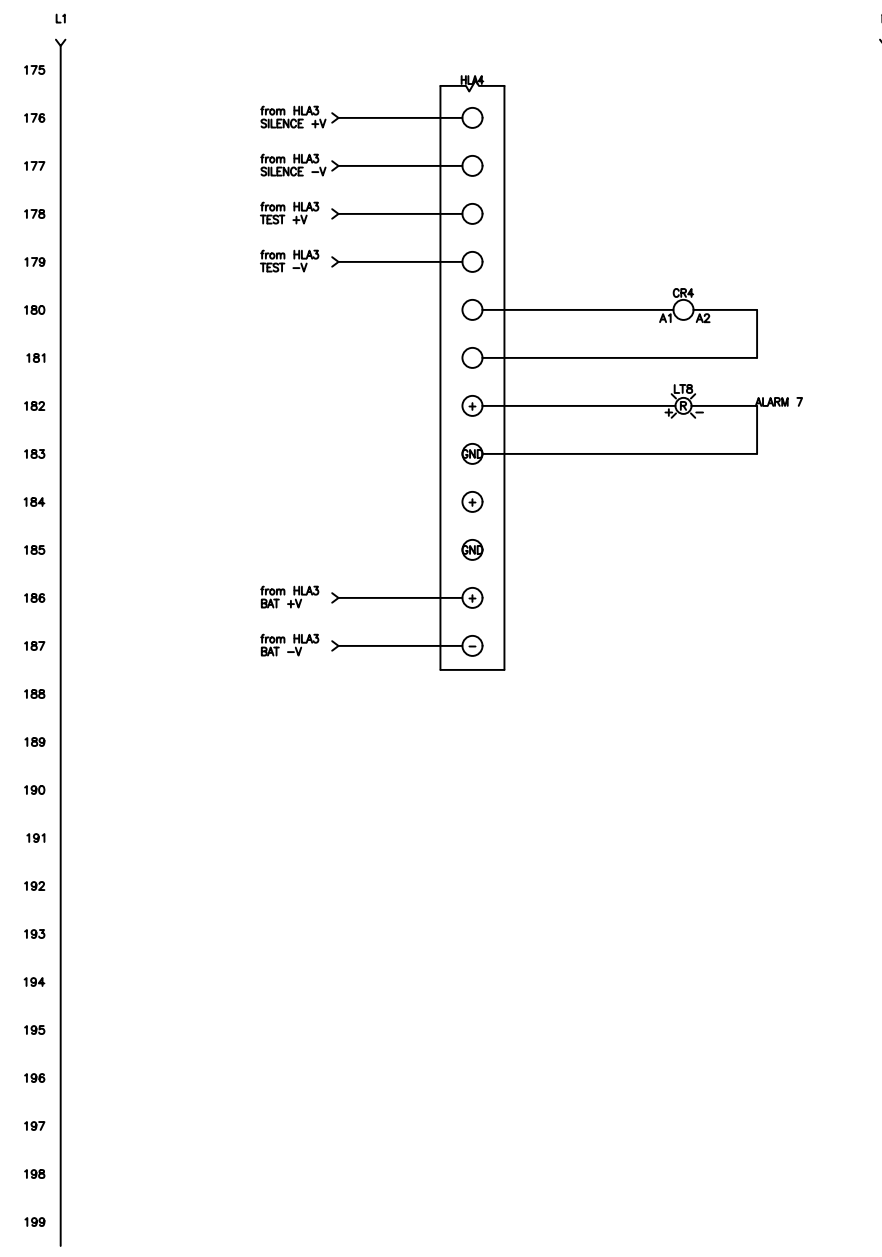
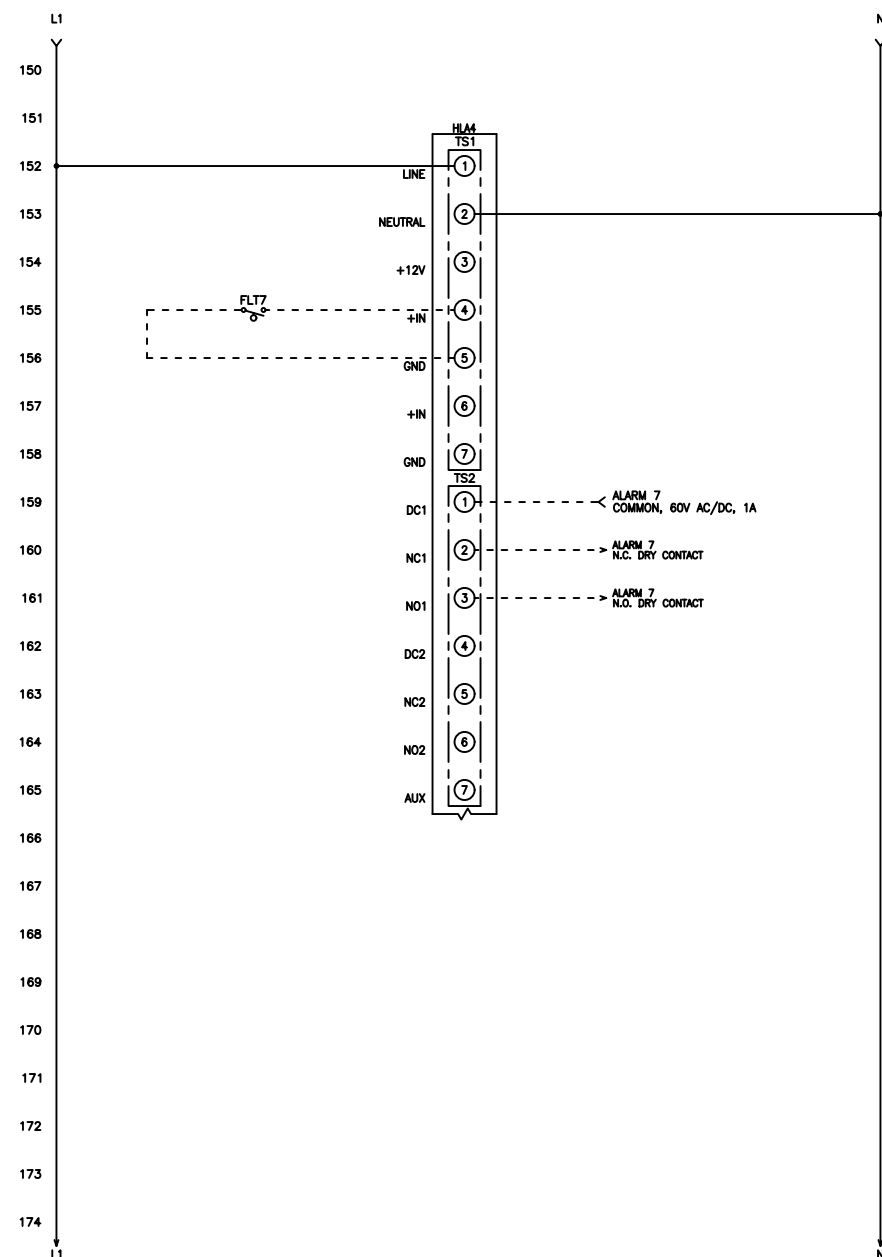
USE COPPER CONDUCTORS ONLY.  
 TEMPERATURE RATING OF CONDUCTORS IS TO BE 60°C (167°F).  
 BRANCH CIRCUIT PROTECTION SHALL BE PROVIDED BY THE INSTALLER; MUST BE SIZED ACCORDING TO PUMP/MOTOR MANUFACTURING SPECIFICATIONS.  
 VERIFY CORRECT OPERATION OF CONTROL PANEL AFTER INSTALLATION IS COMPLETE.

DRAWN BY: MM	DATE: 7/23/16	<b>SEEWATER</b> <i>inc.</i>			
APPROVED BY:	DATE:				
THIS DRAWING CONTAINS PROPRIETARY INFORMATION AND SHALL NOT BE USED OR DISCLOSED WITHOUT PRIOR WRITTEN AUTHORIZATION.		TITLE: HLA-4X-7 CONTROL SCHEMATIC			
		SIZE B	DWG NO. 1593	PART NO. HLA-4X-7	REV B
		SCALE NONE	SHEET 3 OF 5		

FNAME: HLA-4X-7

REVDATE: 0318

REVISIONS				
ZONE	REV	DESCRIPTION	DATE	APPROVED
	A	VARIOUS UPDATES	8/28/17	
	B	UPDATED CONTENT	3/12/18	



NOTES:  
 -S4 SUFFIX INDICATES ALL FLOATS ARE NORMALLY CLOSED FLOATS.  
 -32 SUFFIX INDICATES CUSTOM LABELING THAT MAY DIFFER FROM THE STANDARD LABELING AND/OR NORMALLY OPEN AND NORMALLY CLOSED MAY DIFFER FROM DRAWING ABOVE.

----- DASHED LINE INDICATES FIELD WIRING.

USE COPPER CONDUCTORS ONLY.  
 TEMPERATURE RATING OF CONDUCTORS IS TO BE 60°C (167°F).  
 BRANCH CIRCUIT PROTECTION SHALL BE PROVIDED BY THE INSTALLER; MUST BE SIZED ACCORDING TO PUMP/MOTOR MANUFACTURING SPECIFICATIONS.  
 VERIFY CORRECT OPERATION OF CONTROL PANEL AFTER INSTALLATION IS COMPLETE.

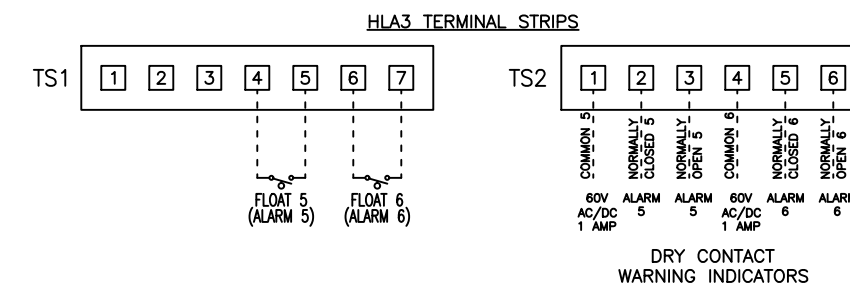
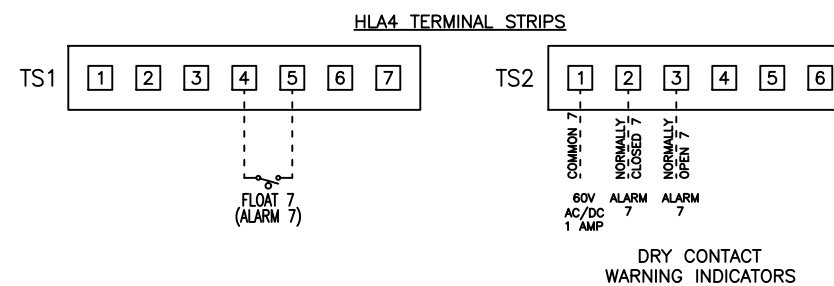
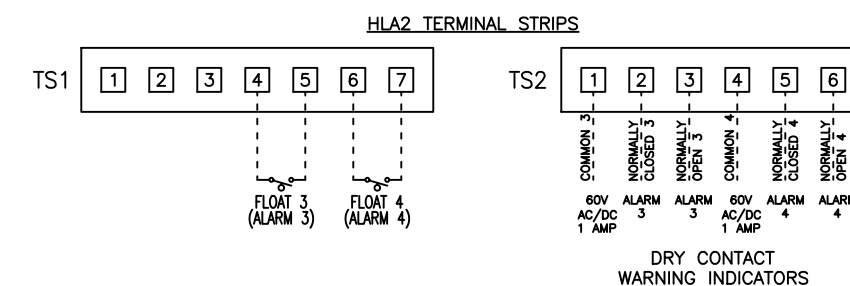
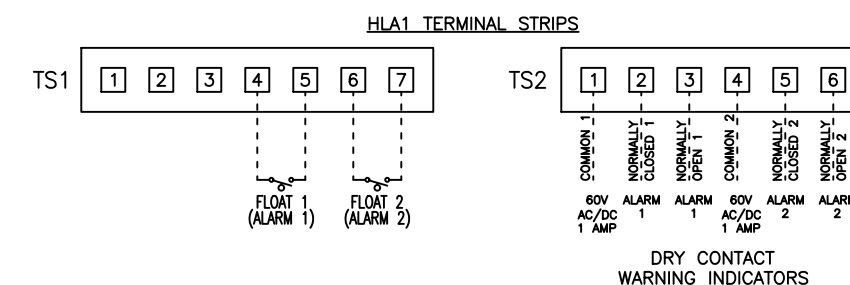
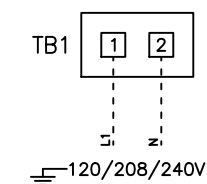
DRAWN BY: MM	DATE: 7/23/16	<b>SEEWATER</b> <i>inc.</i>			
APPROVED BY:	DATE:				
THIS DRAWING CONTAINS PROPRIETARY INFORMATION AND SHALL NOT BE USED OR DISCLOSED WITHOUT PRIOR WRITTEN AUTHORIZATION.		TITLE: HLA-4X-7 CONTROL SCHEMATIC			
		SIZE B	DWG NO. 1593	PART NO. HLA-4X-7	REV B
		SCALE NONE		SHEET 4 OF 5	

FRAME: HLA-4X-7

REVDATE: 0318

REVISIONS				
ZONE	REV	DESCRIPTION	DATE	APPROVED
	A	VARIOUS UPDATES	8/28/17	
	B	UPDATED CONTENT	3/12/18	

FIELD WIRING CONNECTIONS



NOTES:

-S4 SUFFIX INDICATES ALL FLOATS ARE NORMALLY CLOSED FLOATS.

-32 SUFFIX INDICATES CUSTOM LABELING THAT MAY DIFFER FROM THE STANDARD LABELING AND/OR NORMALLY OPEN AND NORMALLY CLOSED MAY DIFFER FROM DRAWING ABOVE.

----- DASHED LINE INDICATES FIELD WIRING.

USE COPPER CONDUCTORS ONLY.

TEMPERATURE RATING OF CONDUCTORS IS TO BE 60°C (167°F).

BRANCH CIRCUIT PROTECTION SHALL BE PROVIDED BY THE INSTALLER; MUST BE SIZED ACCORDING TO PUMP/MOTOR MANUFACTURING SPECIFICATIONS.

VERIFY CORRECT OPERATION OF CONTROL PANEL AFTER INSTALLATION IS COMPLETE.

DRAWN BY: MM DATE: 7/23/16

APPROVED BY: DATE:



THIS DRAWING CONTAINS PROPRIETARY INFORMATION AND SHALL NOT BE USED OR DISCLOSED WITHOUT PRIOR WRITTEN AUTHORIZATION.

TITLE: HLA-4X-7 CONTROL SCHEMATIC				
SIZE B	DWG NO. 1593	PART NO. HLA-4X-7	REV B	
SCALE NONE		SHEET 5 OF 5		