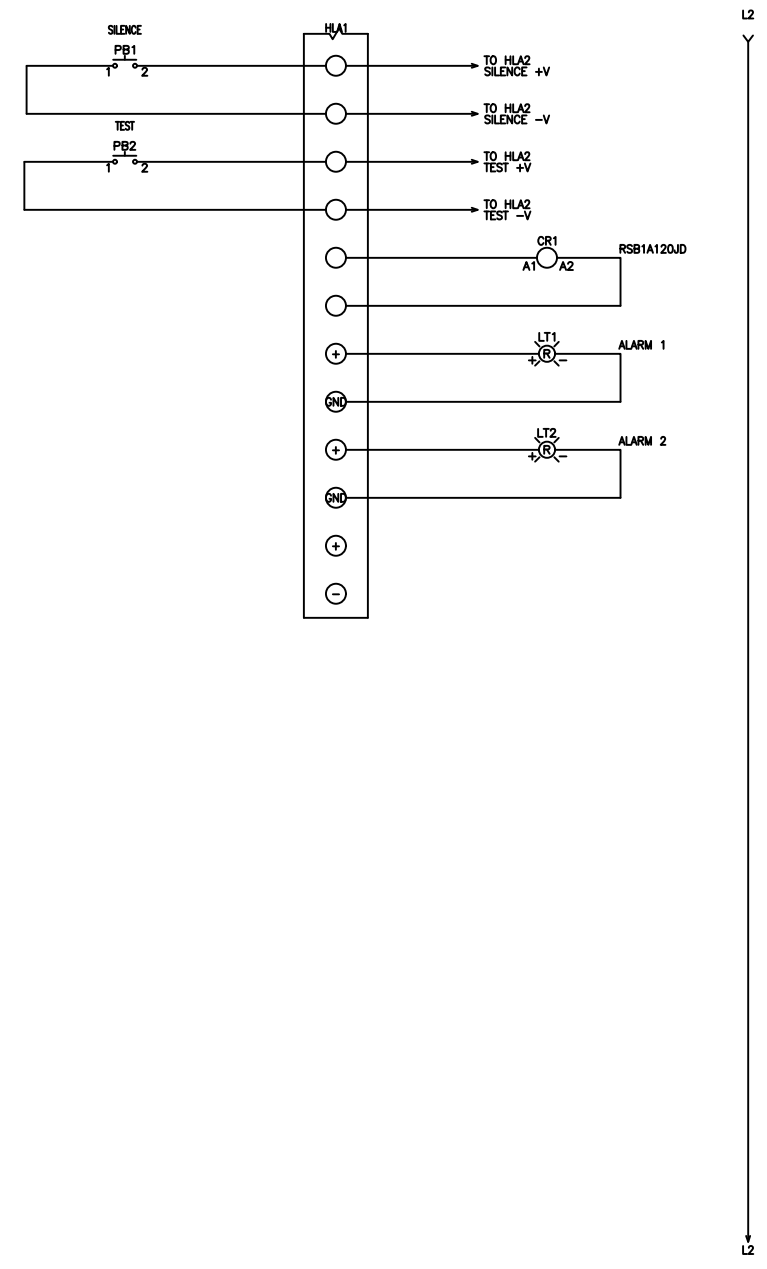
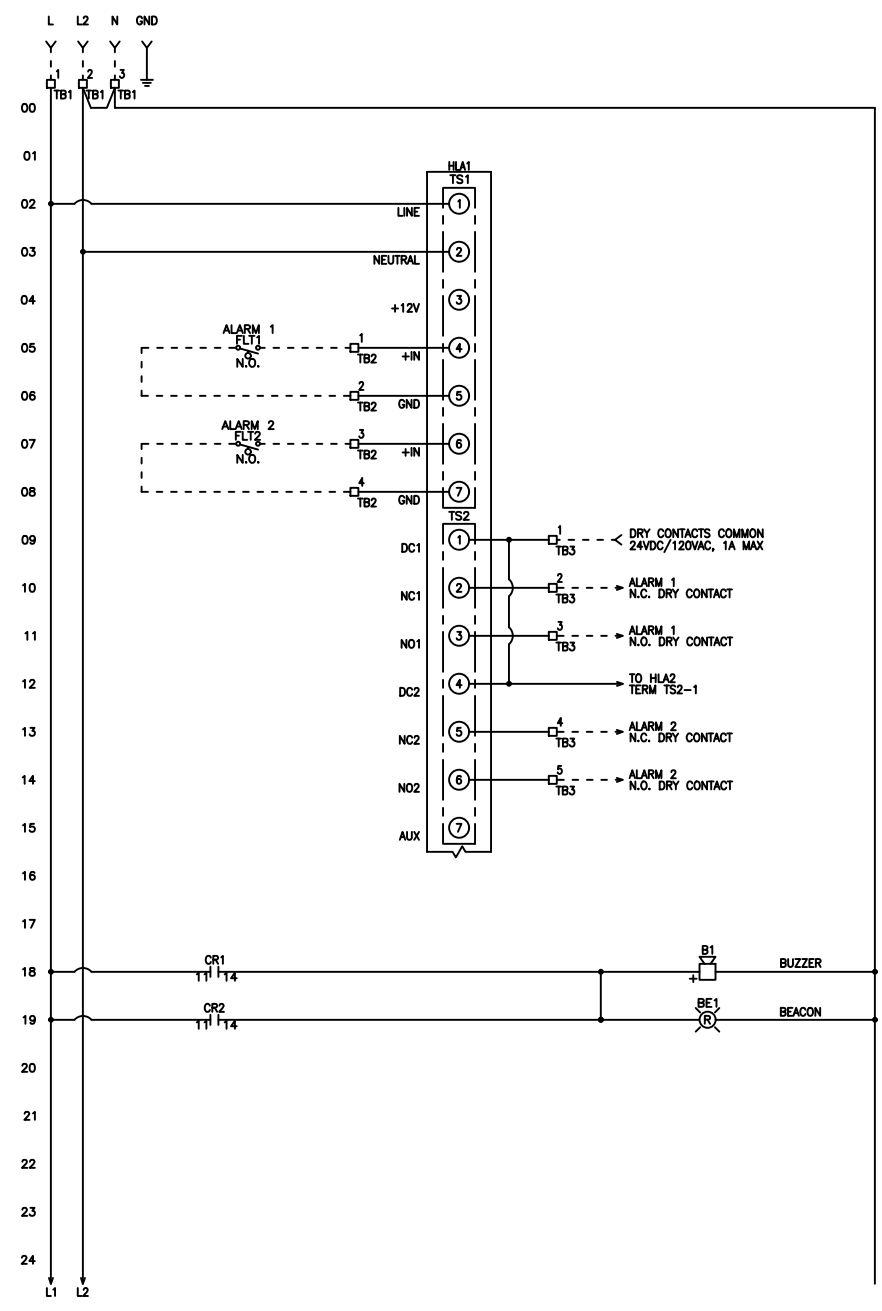


FNAME: HLA-4X-3  
REVDATE: 0720

REVISIONS				
ZONE	REV	DESCRIPTION	DATE	APPROVED
	A	VARIOUS UPDATES	8/28/17	
	B	UPDATED CONTENT	3/12/18	
	C	ADDED TERMINALS FOR FLOATS AND DRY CONTACTS	7/30/20	AO



----- DASHED LINE INDICATES FIELD WIRING.

USE COPPER CONDUCTORS ONLY.

TEMPERATURE RATING OF CONDUCTORS IS TO BE:  
60°C (140°F) FOR UNDER 100A.  
75°C (167°F) FOR OVER 100A.

BRANCH CIRCUIT PROTECTION SHALL BE PROVIDED BY THE INSTALLER: MUST BE SIZED ACCORDING TO PUMP/MOTOR MANUFACTURING SPECIFICATIONS.

VERIFY CORRECT OPERATION OF CONTROL PANEL AFTER INSTALLATION IS COMPLETE.

FIELD WIRING TORQUE SPECS.	
TERMINAL BLOCK UT 2,5	5 IN-LB
TERMINAL BLOCK UT 4	7 IN-LB
TERMINAL BLOCK UT 6	15 IN-LB
TERMINAL BLOCK UT 10	15 IN-LB
TERMINAL BLOCK UT 16	25 IN-LB
TERMINAL BLOCK UT 35	30 IN-LB
TS1, TS2, J2 & J3 PCB	5 IN-LB
TRANSFORMER H1F, H2F & H3F	15 IN-LB
TRANSFORMER H1, H2 & H3	10 IN-LB
DS1 VLS3P16-63 R1	16 IN-LB
DS1 VLS3P63-125 R1	45 IN-LB
DS1 LK4JU3CN 100A	36 IN-LB
DS1 LK4MU3N 200A	200 IN-LB

DRAWN BY: MM  
DATE: 7/23/16

APPROVED BY: KM  
DATE: 7/30/20

THIS DRAWING CONTAINS PROPRIETARY INFORMATION AND SHALL NOT BE USED OR DISCLOSED WITHOUT PRIOR WRITTEN AUTHORIZATION.

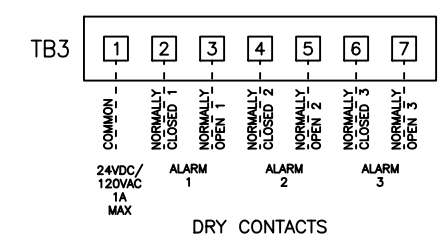
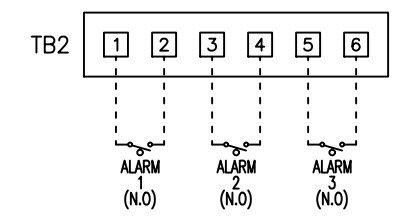
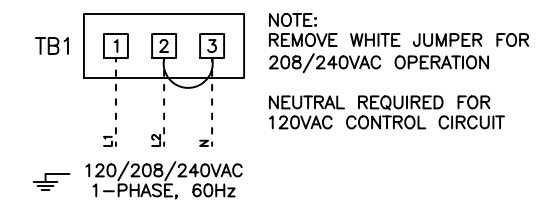
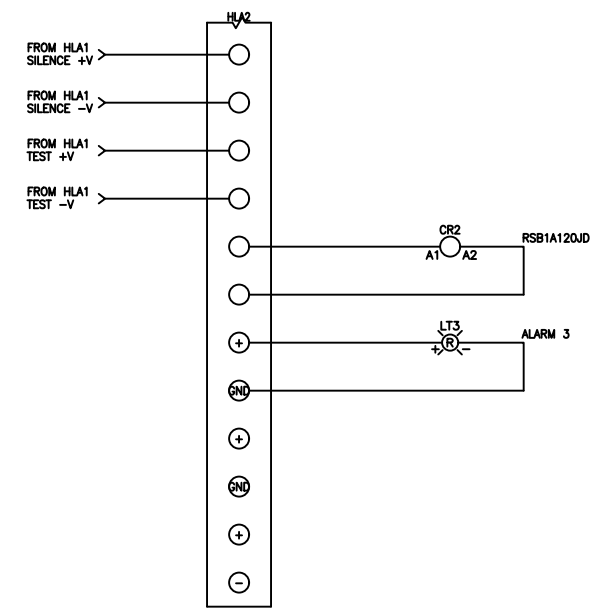
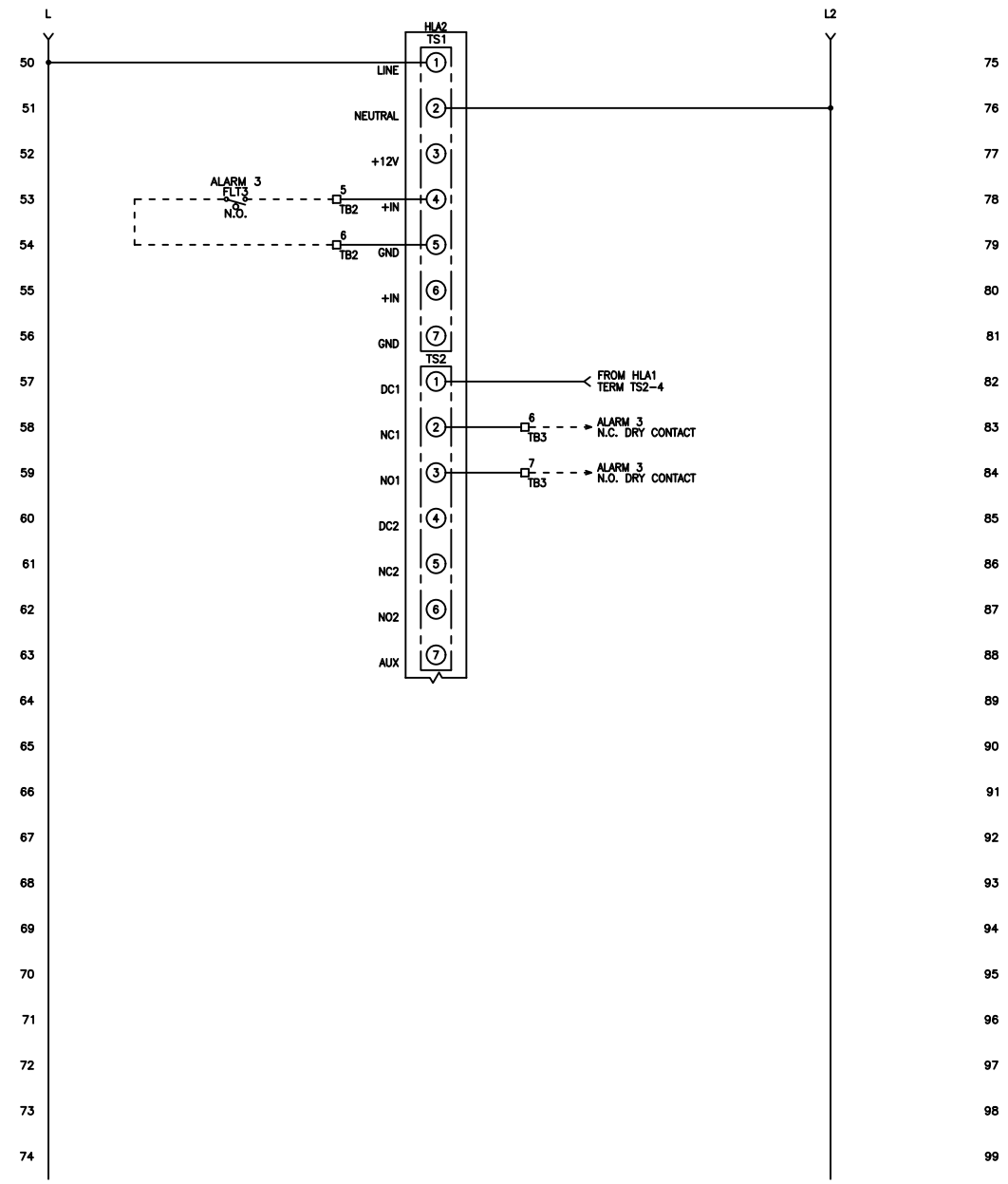


TITLE: HLA-4X-3 CONTROL SCHEMATIC			
SIZE: B	DWG NO.: 1591	PART NO.: HLA-4X-3	REV: C
SCALE: NONE	SHEET: 1 OF 2		

FNAME: HLA-4X-3  
REVDATE: 0720

REVISIONS				
ZONE	REV	DESCRIPTION	DATE	APPROVED
	A	VARIOUS UPDATES	8/28/17	
	B	UPDATED CONTENT	3/12/18	
	C	ADDED TERMINALS FOR FLOATS AND DRY CONTACTS	7/30/20	AO

FIELD WIRING CONNECTIONS



----- DASHED LINE INDICATES FIELD WIRING.

USE COPPER CONDUCTORS ONLY.

TEMPERATURE RATING OF CONDUCTORS IS TO BE:  
60°C (140°F) FOR UNDER 100A.  
75°C (167°F) FOR OVER 100A.

BRANCH CIRCUIT PROTECTION SHALL BE PROVIDED BY THE INSTALLER. MUST BE SIZED ACCORDING TO PUMP/MOTOR MANUFACTURING SPECIFICATIONS.

VERIFY CORRECT OPERATION OF CONTROL PANEL AFTER INSTALLATION IS COMPLETE.

FIELD WIRING TORQUE SPECS.	
TERMINAL BLOCK UT 2,5	5 IN-LB
TERMINAL BLOCK UT 4	7 IN-LB
TERMINAL BLOCK UT 6	15 IN-LB
TERMINAL BLOCK UT 10	15 IN-LB
TERMINAL BLOCK UT 16	25 IN-LB
TERMINAL BLOCK UT 35	30 IN-LB
TS1, TS2, J2 & J3 PCB	5 IN-LB
TRANSFORMER H1F, H2F & H3F	15 IN-LB
TRANSFORMER H1, H2 & H3	10 IN-LB
DS1 VLS3P16-63 R1	16 IN-LB
DS1 VLS3P63-125 R1	45 IN-LB
DS1 LK4JU3CN 100A	36 IN-LB
DS1 LK4MU3N 200A	200 IN-LB

DRAWN BY: MM  
DATE: 7/23/16

APPROVED BY: KM  
DATE: 7/30/20

THIS DRAWING CONTAINS PROPRIETARY INFORMATION AND SHALL NOT BE USED OR DISCLOSED WITHOUT PRIOR WRITTEN AUTHORIZATION.



TITLE: HLA-4X-3 CONTROL SCHEMATIC			
SIZE: B	DWG NO.: 1591	PART NO.: HLA-4X-3	REV: C
SCALE: NONE	SHEET: 2 OF 2		